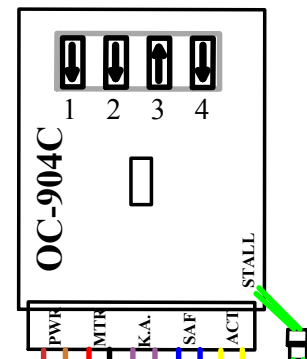
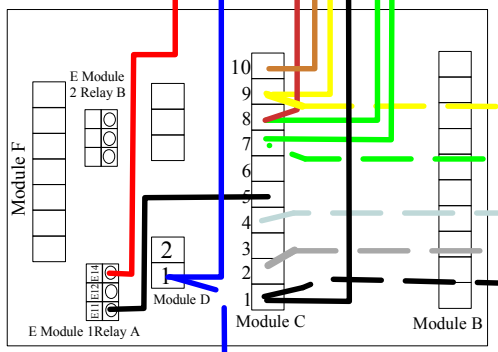


NOTE:
 All activation devices must connect to the TDM. The purple wires from the OC-904 connect in parallel. Be sure to observe polarity (+ to +, - to -). Push/Pull activation must be **DISABLED** at the door Control.

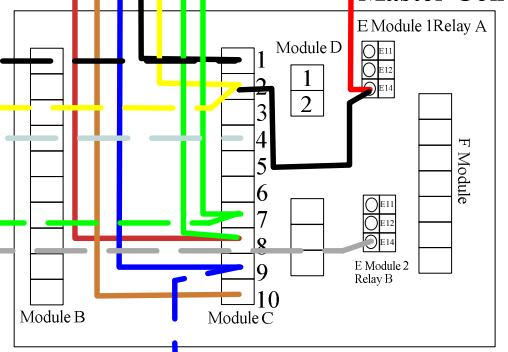


NOTE:
 The Master control is identified by the presence, of the connection of the Auto/Close/Open switch.

Slave Control



Master Control



NOTE: The dotted lines represent required SYNC lines between controls.

NOTE:
 The activation and safety terminals, have different pin location on both the Master and Slave controls.

INSTALLATION NOTES:

1. Set door speeds and verify proper door operation prior to final connection of sensor system.
2. Technician **MUST WALK TEST** to verify function and detection patterns comply with ANSI/BHMA A156.10 requirements.

Title: Tormax TDA Sim Pair with Elite & Electric Lock		Drawing # 01TORTDAEL103
Drawing By: RNG	Date: 6/16/08	Sheet: 1 of 1
Optex Technologies Inc. 3882 Del Amo Blvd., Suite 604, Torrance, CA 90503 Office: (800)877-6656, Fax: (310)214-8655		