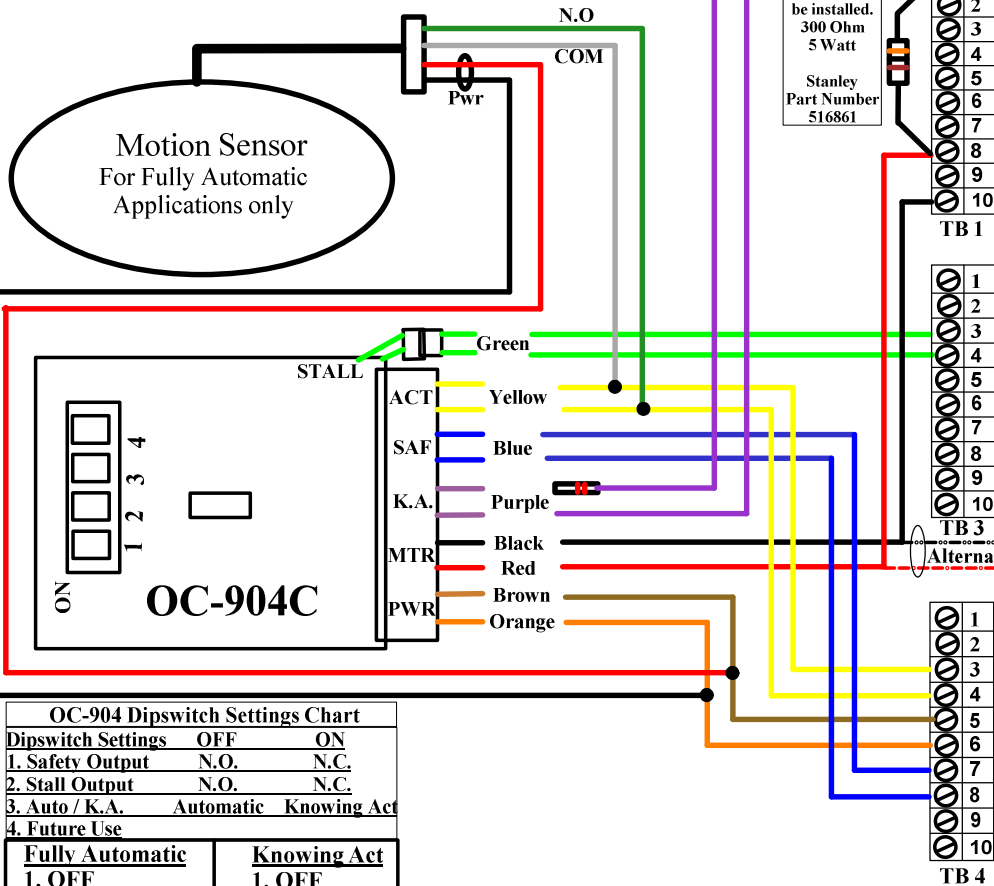


NOTE:
 For Knowing Act applications ALL activation devices must connect to the purple wires (N/O dry contact only).
 When using two OC-904's (Sim Pairs) purple wires connect in parallel. Be sure to observe polarity (+ to +, - to -).



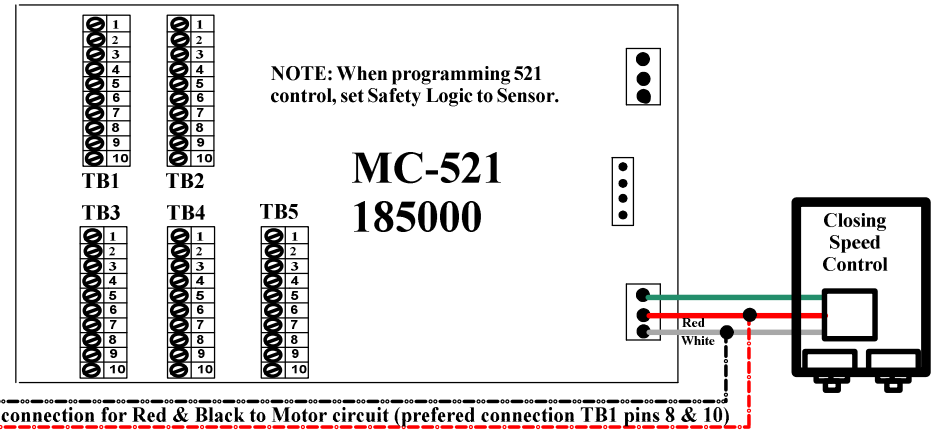
NOTE: When using SU-100 use Com (pin 3) and N.C. (pin 5).

Resistor must be installed.
 300 Ohm
 5 Watt
 Stanley
 Part Number
 516861



INSTALLATION NOTES

1. Set door speeds and verify proper door operation prior to final connection of sensors system.
2. Technician MUST WALK TEST to verify function and detection patterns comply with ANSI/BHMA A156.10 requirements.
3. MC-521 Safety Logic must be set to SENSOR.
4. When OC-904 is set to Knowing Act (dipswitch 3 on) Push/Pull activation must be DISABLED at the MC-521.
5. When using two OC-904's (sim pair, double Egress) connect both sets of wires in parallel to the connection points as shown below.



OC-904 Dipswitch Settings Chart		
Dipswitch Settings	OFF	ON
1. Safety Output	N.O.	N.C.
2. Stall Output	N.O.	N.C.
3. Auto / K.A.	Automatic	Knowing Act
4. Future Use		
Fully Automatic		Knowing Act
1. OFF		1. OFF
2. OFF		2. OFF
3. OFF		3. ON
4. OFF		4. OFF

Title: Stanley MC-521 with Elite	Drawing # 01STA521ELI01
Drawing By: JAS	Date: 06-12-08
Sheet: 1 of 1	
Optex Technologies Inc. 3882 Del Amo Blvd., Suite 604, Torrance, CA 90503 Office: (800)877-6656, Fax: (310)214-8655	