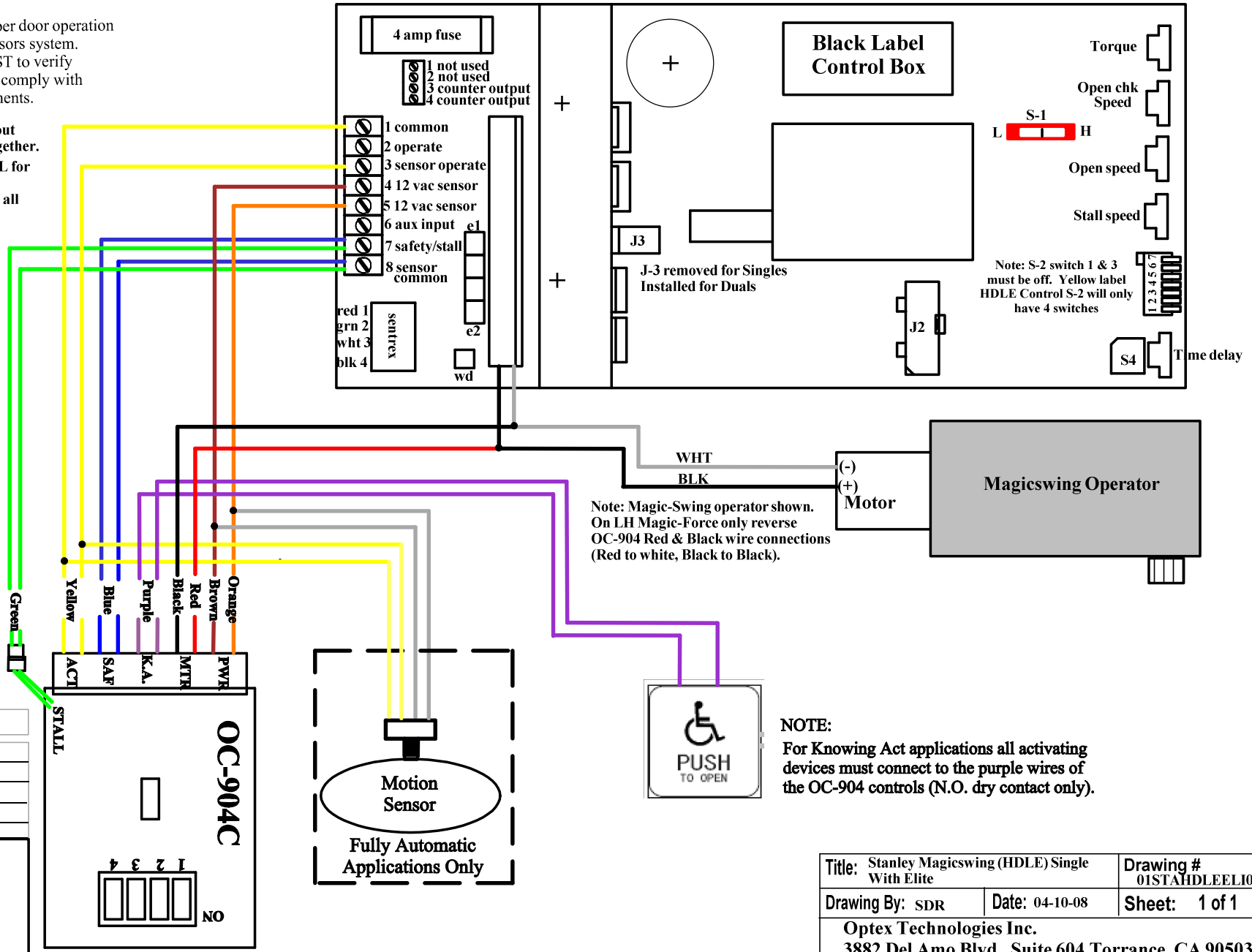


**INSTALLATION NOTES**

1. Set door speeds and verify proper door operation prior to final connections of sensors system.
2. Technician **MUST WALK TEST** to verify function and detection patterns comply with ANSI/BHMA A156.10 requirements.
3. Stanley Control TBI pins 6 & 8 must be connected to the breakout status switch or be jumpered together.
4. Stanley Control switch S-1 set to L for Low energy Magic-Force singles. Set to H for all Magic-Swing and all Dual Magic-Force.



**OC-904 Dipswitch Settings Chart**

Dipswitch Settings	OFF	ON
1. Safety Output	N.O.	N.C.
2. Stall Output	N.O.	N.C.
3. Auto/K.A.	Automatic	Knowing Act
<small>4. Future Use</small>		
<b>Fully Automatic</b>	<b>Knowing Act</b>	
1. OFF	1. OFF	
2. OFF	2. OFF	
3. OFF	3. ON	
4. OFF	4. OFF	

**NOTE:**  
For Knowing Act applications all activating devices must connect to the purple wires of the OC-904 controls (N.O. dry contact only).

<b>Title:</b> Stanley Magicswing (HDLE) Single With Elite		<b>Drawing #</b> 01STAHDLEELI01
<b>Drawing By:</b> SDR	<b>Date:</b> 04-10-08	<b>Sheet:</b> 1 of 1
<b>Optex Technologies Inc.</b> 3882 Del Amo Blvd., Suite 604, Torrance, CA 90503 Office: (800)877-6656, Fax: (310)214-8655		