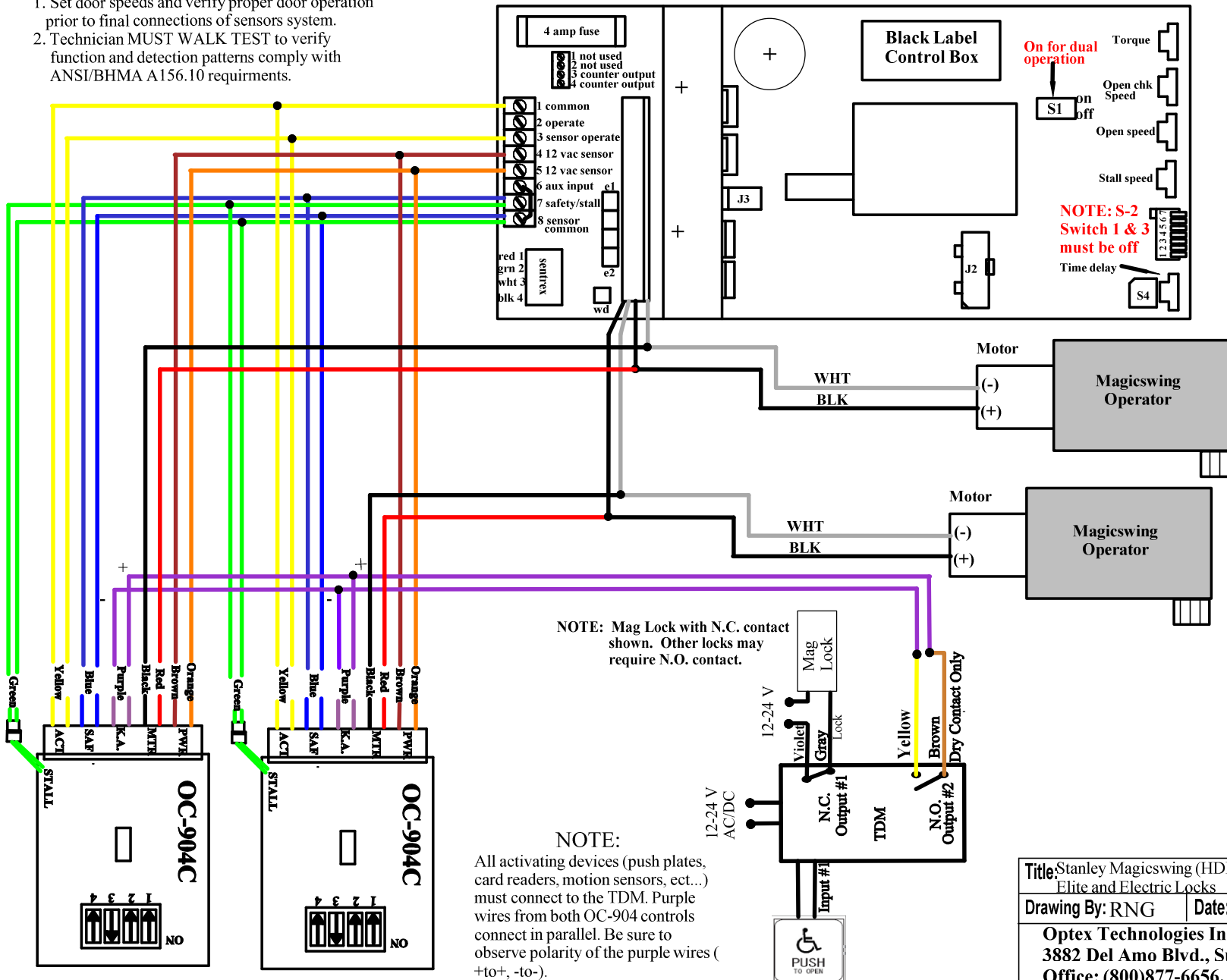


INSTALLATION NOTES

1. Set door speeds and verify proper door operation prior to final connections of sensors system.
2. Technician **MUST WALK TEST** to verify function and detection patterns comply with ANSI/BHMA A156.10 requirements.



NOTE:
 Magic-Swing operator shown.
 On LH Magic-Force only
 reverse OC-904 RED & Black
 wire connections (Red to White,
 Black to Black).

NOTE: Mag Lock with N.C. contact
 shown. Other locks may
 require N.O. contact.

NOTE:
 All activating devices (push plates,
 card readers, motion sensors, ect...) must connect to the TDM. Purple
 wires from both OC-904 controls
 connect in parallel. Be sure to
 observe polarity of the purple wires (
 +to+, -to-).

Title: Stanley Magicswing (HDLE) Pair with Elite and Electric Locks		Drawing # 01STAHDLEELI03
Drawing By: RNG	Date: 06/27/08	Sheet: 1 of 1
Optex Technologies Inc. 3882 Del Amo Blvd., Suite 604, Torrance, CA 90503 Office: (800)877-6656, Fax: (310)214-8655		