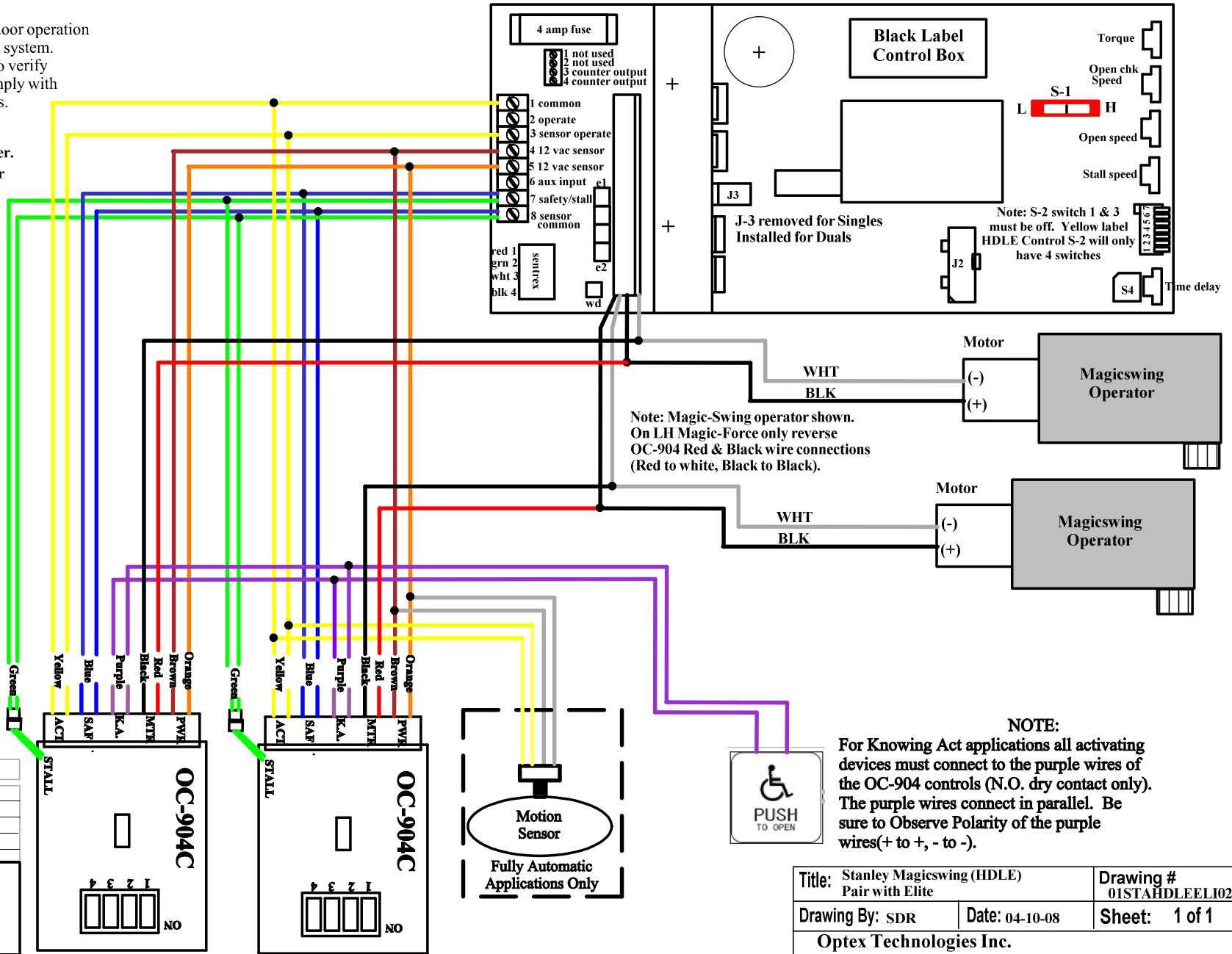


INSTALLATION NOTES

1. Set door speeds and verify proper door operation prior to final connections of sensors system.
2. Technician **MUST WALK TEST** to verify function and detection patterns comply with ANSI/BHMA A156.10 requirements.
3. Stanley Control TB1 pins 6 & 8 must be connected to the breakout status switch or be jumpered together.
4. Stanley Control switch S-1 set to L for Low energy Magic-Force singles. Set to H for all Magic-Swing and all Dual Magic-Force.



OC-904 Dipswitch Settings Chart		
Dipswitch Settings	OFF	ON
1. Safety Output	N.O.	N.C.
2. Stall Output	N.O.	N.C.
3. Auto/K.A.	Automatic	Knowing Act
4. Future Use		
Fully Automatic	Knowing Act	
1. OFF	1. OFF	
2. OFF	2. OFF	
3. OFF	3. ON	
4. OFF	4. OFF	

NOTE:
For Knowing Act applications all activating devices must connect to the purple wires of the OC-904 controls (N.O. dry contact only). The purple wires connect in parallel. Be sure to Observe Polarity of the purple wires(+ to +, - to -).

Title: Stanley Magicswing (HDLE) Pair with Elite		Drawing # 01STAHDLEEL102
Drawing By: SDR	Date: 04-10-08	Sheet: 1 of 1
Optex Technologies Inc. 3882 Del Amo Blvd., Suite 604, Torrance, CA 90503 Office: (800)877-6656, Fax: (310)214-8655		