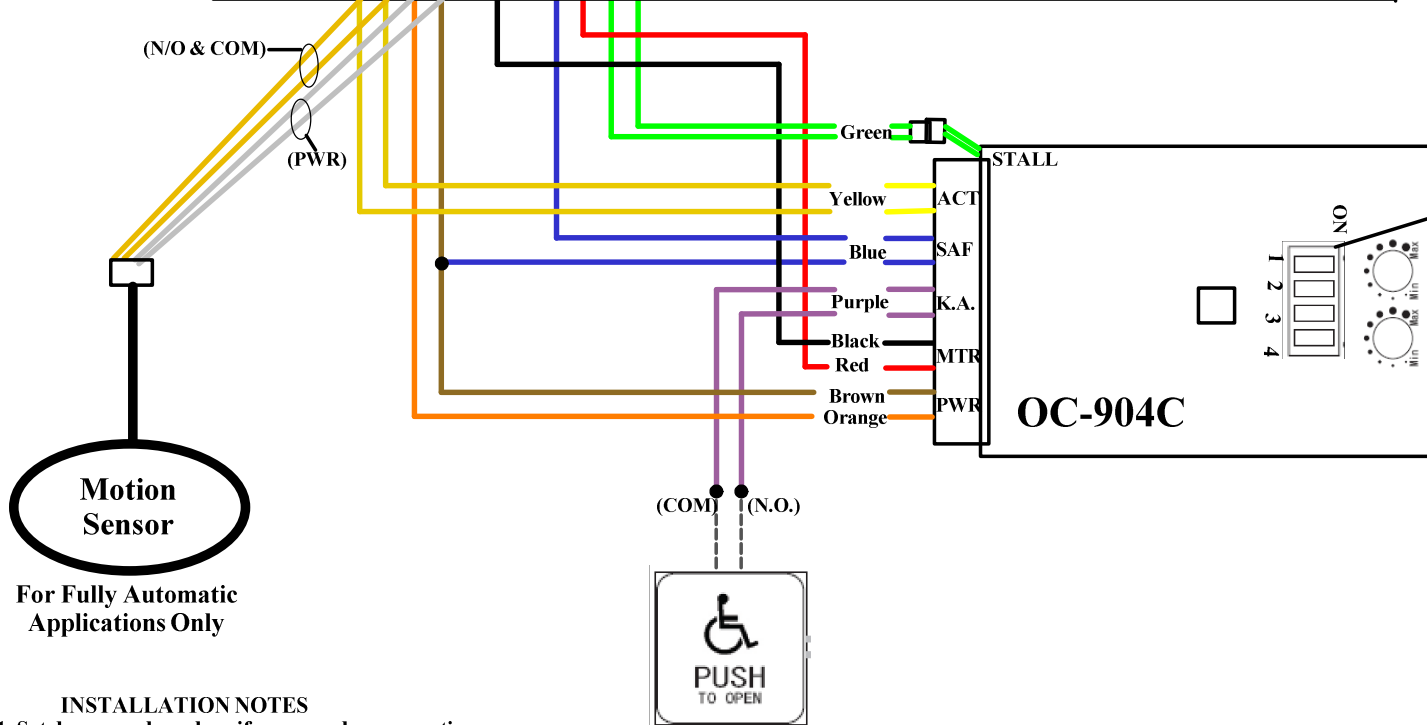


NOTE:
On Record control program both
AUX 1 Output and AUX 1 Input
to "BEA Bodyguard".



Dipswitch Settings	OFF	ON
1. Safety Output	N.O.	N.C.
2. Stall Output	N.O.	N.C.
3. Auto / K.A.	Automatic	Knowing Act
4. Future Use		

Fully Automatic	Knowing Act
1. OFF	1. OFF
2. ON	2. ON
3. OFF	3. ON
4. OFF	4. OFF

Motion Sensor

For Fully Automatic Applications Only

INSTALLATION NOTES

1. Set door speeds and verify proper door operation prior to final connection of sensors system.
2. Technician MUST WALK TEST to verify function and detection patterns comply with ANSI/BHMA A156.10 requirements.



NOTE:

For Knowing Act applications ALL activation devices must connect to the purple wires (N/O dry contact only).

Title: Record 8000 Single With Elite	Drawing # 01REC8000 ELI01 Rev 1
Drawing By: JAS	Date: 02-25-08
Sheet: 1 of 1	

Optex Technologies Inc.
3882 Del Amo Blvd., Torrance, CA 90503
Office: (800)877-6656, Fax: (310)214-8655