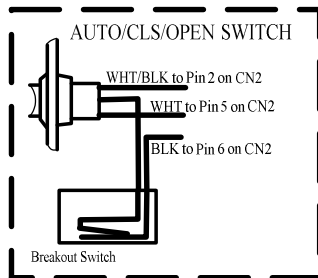


**Motion Sensor**

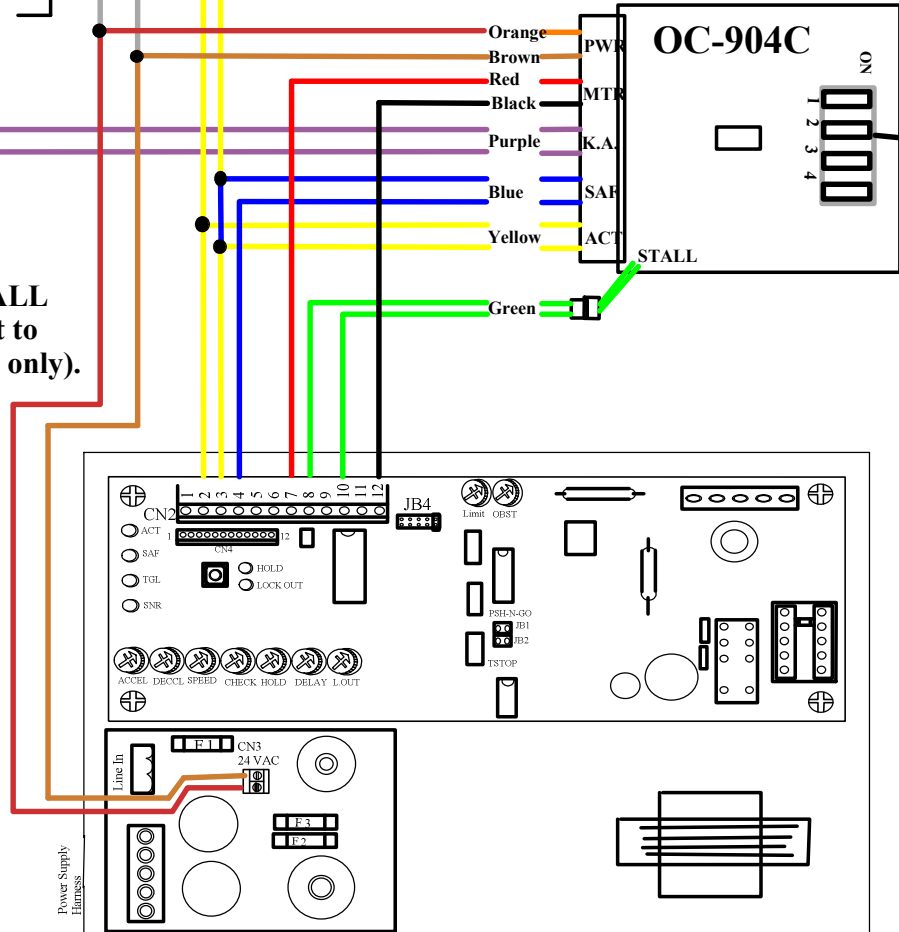
**For Fully Automatic Applications Only**



**NOTE:**  
For Knowing Act applications ALL activation devices must connect to the purple wires (N/O dry contact only).



NOTE: An alternate connection for the red and black wire from the OA-904 control is the red wire to the positive side of the motor with door in the open position and the black wire to the negative side of the motor in the open position.



| Dipswitch Settings | OFF       | ON          |
|--------------------|-----------|-------------|
| 1. Safety Output   | N.O.      | N.C.        |
| 2. Stall Output    | N.O.      | N.C.        |
| 3. Auto / K.A.     | Automatic | Knowing Act |
| 4. Future Use      |           |             |

| Fully Automatic | Knowing Act |
|-----------------|-------------|
| 1. OFF          | 1. OFF      |
| 2. OFF          | 2. OFF      |
| 3. OFF          | 3. ON       |
| 4. OFF          | 4. OFF      |

**INSTALLATION NOTES**

1. Set door speeds and verify proper door operation prior to final connection of sensors system.
2. Technician MUST WALK TEST to verify function and detection patterns comply with ANSI/BHMA A156.10 requirements.

|   |                |                      |
|---|----------------|----------------------|
| Title: Horton 4190 REV J Single W/ Elite  |                | Drawing #            |
|   |                | 01HOR4190ELI01 Rev 1 |
| Drawing By: RNG   | Date: 02-25-08 | Sheet: 1 of 1        |
| Optex Technologies Inc.<br>3882 Del Amo Blvd., Suite 604, Torrance, CA 90503<br>Office: (800)877-6656, Fax: (310)214-8655 |                |                      |