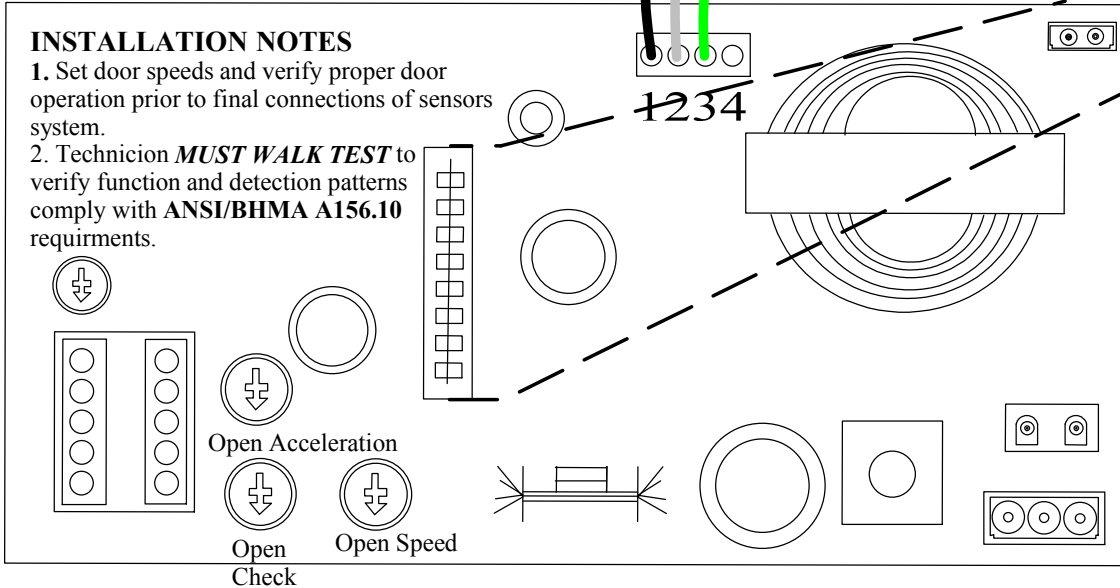
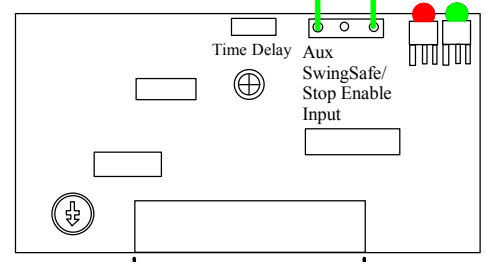
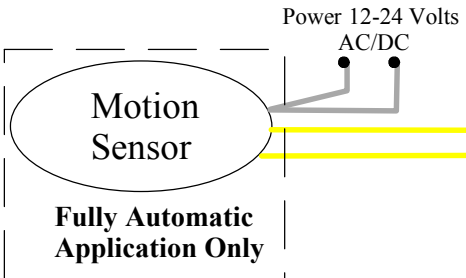


NOTE:
 For Knowing Act applications
 ALL activation devices must
 connect to the purple wires
 (N/O dry contact only).



INSTALLATION NOTES

1. Set door speeds and verify proper door operation prior to final connections of sensors system.
2. Technician **MUST WALK TEST** to verify function and detection patterns comply with ANSI/BHMA A156.10 requirements.

OC-904 Dipswitch Settings Chart

Dipswitch Settings	OFF	ON
1. Safety Output	N. O.	N. C.
2. Stall Output	N. O.	N. C.
3. Auto/K.A.	Automatic	Knowing Act
4. Future Use		

Fully Automatic	Knowing Act
1. OFF	1. OFF
2. OFF	2. OFF
3. OFF	3. ON
4. OFF	4. OFF

Title: Horton 4160-2 Single With Elite	Drawing # 01HOR4160ELI01
Drawing By: RNG	Date: 04-31-08
Sheet: 1 of 1	
Optex Technologies Inc. 3882 Del Amo Blvd., Suite 604, Torrance, CA 90503 Office: (800)877-6656, Fax: (310)214-8655	