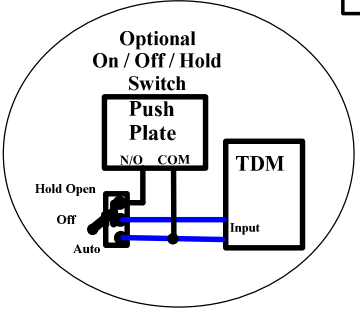


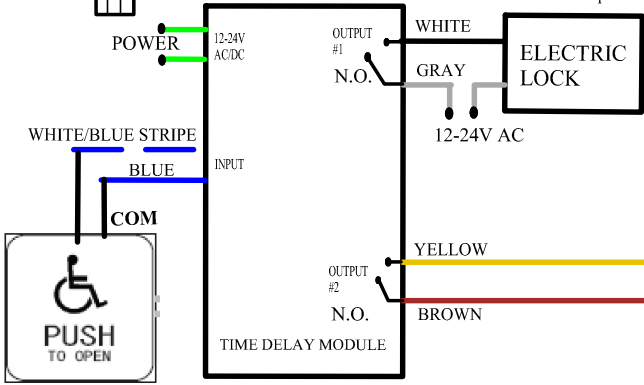
NOTE: Set FUNCTION selector to Supernova Slow or Supernova Stop (usually option 5 or 6).

12-24 VAC/VDC

Note:
For Mag locks use
the N/C contact of
the TDM output #1



NOTE: All activating devices (pushplates, card readers, motion sensors, etc.) must connect to the TDM. Purple wires from both OC-904 controls connect in parallel. Be sure to observe polarity of the purple wires (+ to +, - to -).



INSTALLATION NOTES

1. Set door speeds and verify proper door operation prior to final connections of sensors system.
2. Technician MUST WALK TEST to verify function and detection patterns comply with ANSI/BHMA A156.10 requirements.

Title: Doromatic Astrowing Simultaneous Pair with Elite		Drawing # 01DORASTELI02
Drawing By: JAS	Date: 03-19-08	Sheet: 1 of 1
Optex Technologies Inc. 3882 Del Amo Blvd., Suite 604, Torrance, CA 90503 Office: (800)877-6656, Fax: (310)214-8655		