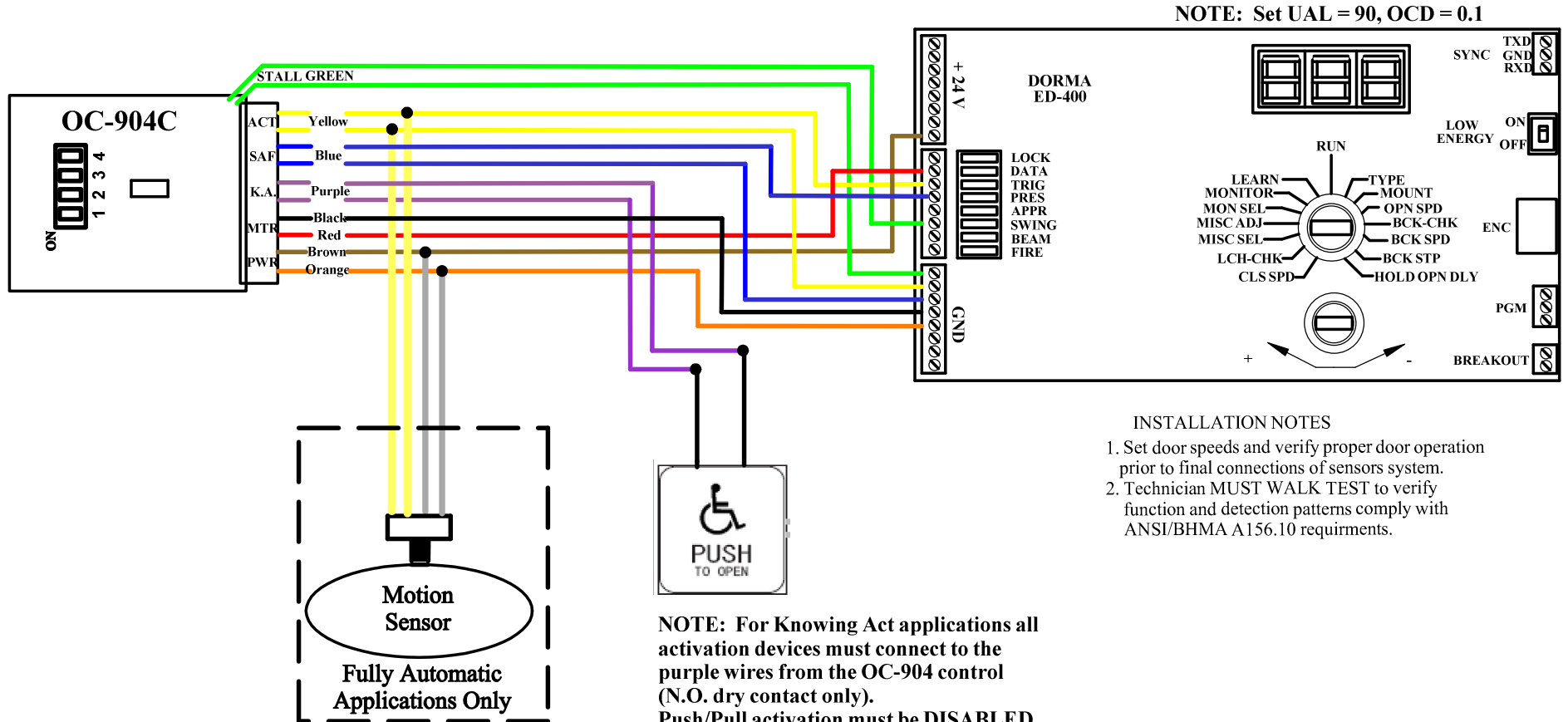


OC-904 Dipswitch Settings Chart

Dipswitch Settings	OFF	ON
1. Safety Output	N.O.	N.C.
2. Stall Output	N.O.	N.C.
3. Auto/K.A.	Automatic	Knowing Act
4. Future Use		

Fully Automatic	Knowing Act
1. OFF	1. OFF
2. OFF	2. OFF
3. OFF	3. ON
4. OFF	4. OFF



INSTALLATION NOTES

1. Set door speeds and verify proper door operation prior to final connections of sensors system.
2. Technician MUST WALK TEST to verify function and detection patterns comply with ANSI/BHMA A156.10 requirements.

Title: DORMA ED-400 Single with Elite		Drawing # 01DORED400ELI01 Rev 2
Drawing By: SDR	Date: 05-29-08	Sheet: 1 of 1
Optex Technologies Inc. 3882 Del Amo Blvd., Suite 604, Torrance, CA 90503 Office: (800)877-6656, Fax: (310)214-8655		