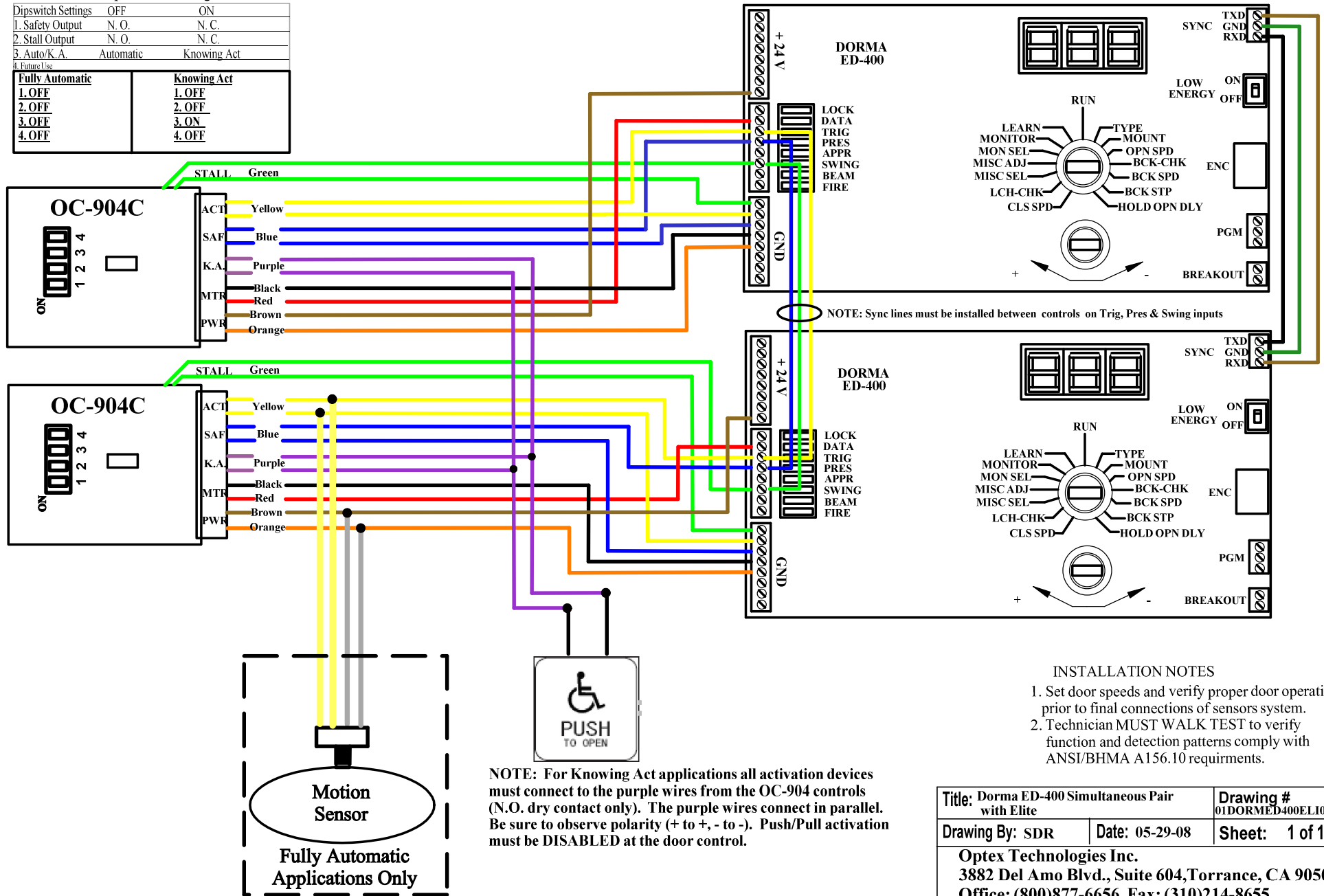


OC-904 Dipswitch Settings Chart

Dipswitch Settings	OFF	ON
1. Safety Output	N.O.	N.C.
2. Stall Output	N.O.	N.C.
3. Auto/K.A.	Automatic	Knowing Act
4. Future Use		

Fully Automatic	Knowing Act
1. OFF	1. OFF
2. OFF	2. OFF
3. OFF	3. ON
4. OFF	4. OFF

NOTE: On both Controls set UAL = 90, OCD = 0.1



INSTALLATION NOTES

1. Set door speeds and verify proper door operation prior to final connections of sensors system.
2. Technician MUST WALK TEST to verify function and detection patterns comply with ANSI/BHMA A156.10 requirements.

NOTE: For Knowing Act applications all activation devices must connect to the purple wires from the OC-904 controls (N.O. dry contact only). The purple wires connect in parallel. Be sure to observe polarity (+ to +, - to -). Push/Pull activation must be DISABLED at the door control.

Title: Dorma ED-400 Simultaneous Pair with Elite	Drawing # 01DORMED400ELI02 Rev 3
Drawing By: SDR	Date: 05-29-08
Sheet: 1 of 1	
Optex Technologies Inc. 3882 Del Amo Blvd., Suite 604, Torrance, CA 90503 Office: (800)877-6656, Fax: (310)214-8655	