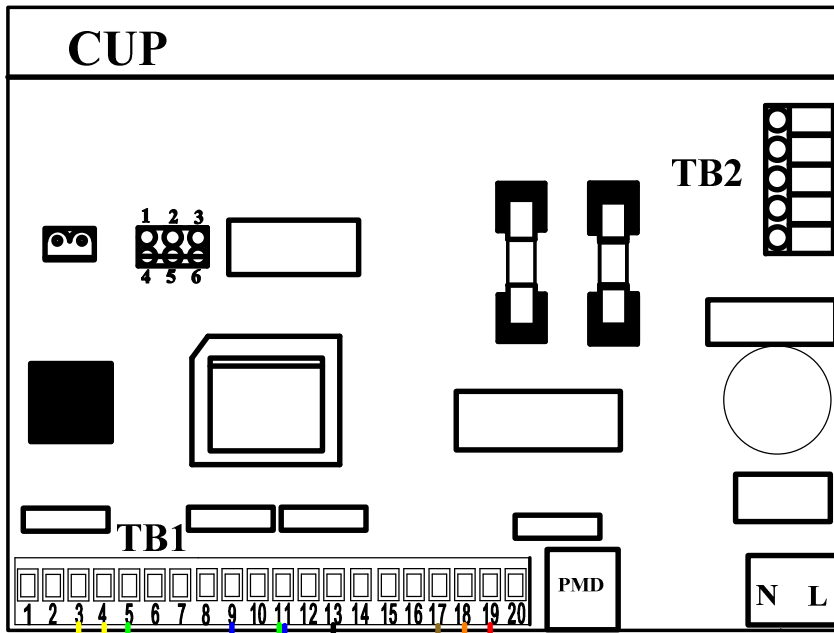


- 1 KEY OPERATE
- 2 PRESENCE SENSOR
- 3 INNER OPERATE
- 4 0 V DC
- 5 PRESENCE DETECTION
- 6 KILL
- 7 OFF
- 8 CONTACT MAT
- 9 0 V DC
- 10 PROGRAMMABLE DOOR
- 11 POSITION SWITCHES
- 12 24 VDC 3330mA
- 13 24 VDC 180 mA
- 14 18 VDC 530mA
- 15
- 16
- 17
- 18
- 19
- 20

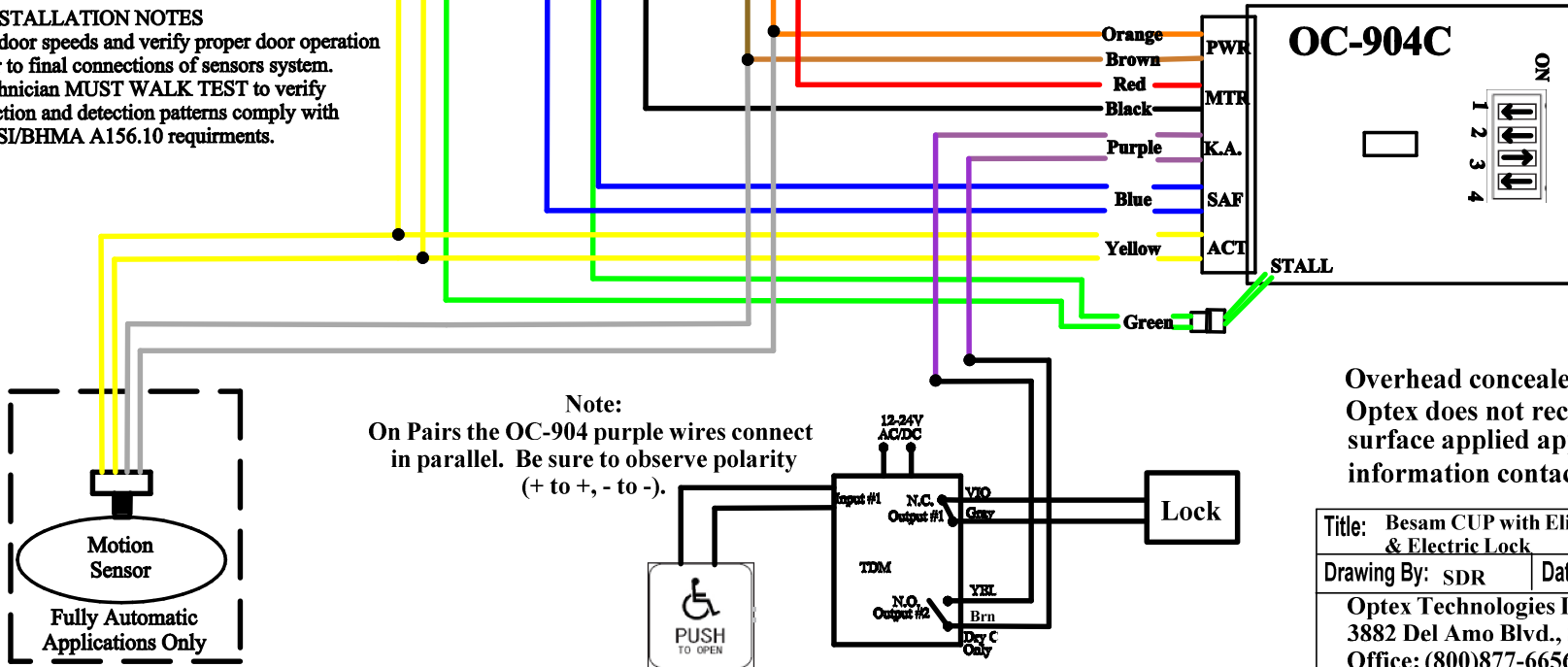


**CUP SOFTWARE MUST BE V6.4 OR HIGHER**  
**FUNCTIONS SETTINGS TO BE SET AS FOLLOWS**  
 F11=3, F13=a, F14=a, F16=00, F17=00, F18=00, F19=b, F20=b

Single is shown. On pairs wire the master and slave the same and include sync lines from pins 3 to 3, 4 to 4, 5 to 5, 9 to 9, 10 to 12 and 12 to 10.

**INSTALLATION NOTES**

1. Set door speeds and verify proper door operation prior to final connections of sensors system.
2. Technician MUST WALK TEST to verify function and detection patterns comply with ANSI/BHMA A156.10 requirements.



**Note:**  
 On Pairs the OC-904 purple wires connect in parallel. Be sure to observe polarity (+ to +, - to -).

Overhead concealed applications only. Optex does not recommend the Elite on surface applied applications. For more information contact Optex technical support.

Title: Besam CUP with Elite & Electric Lock	Drawing # 01BESCUPELI03
Drawing By: SDR	Date: 06-25-08
Sheet: 1 of 1	
Optex Technologies Inc. 3882 Del Amo Blvd., Suite 604, Torrance, CA 90503 Office: (800)877-6656, Fax: (310)214-8655	