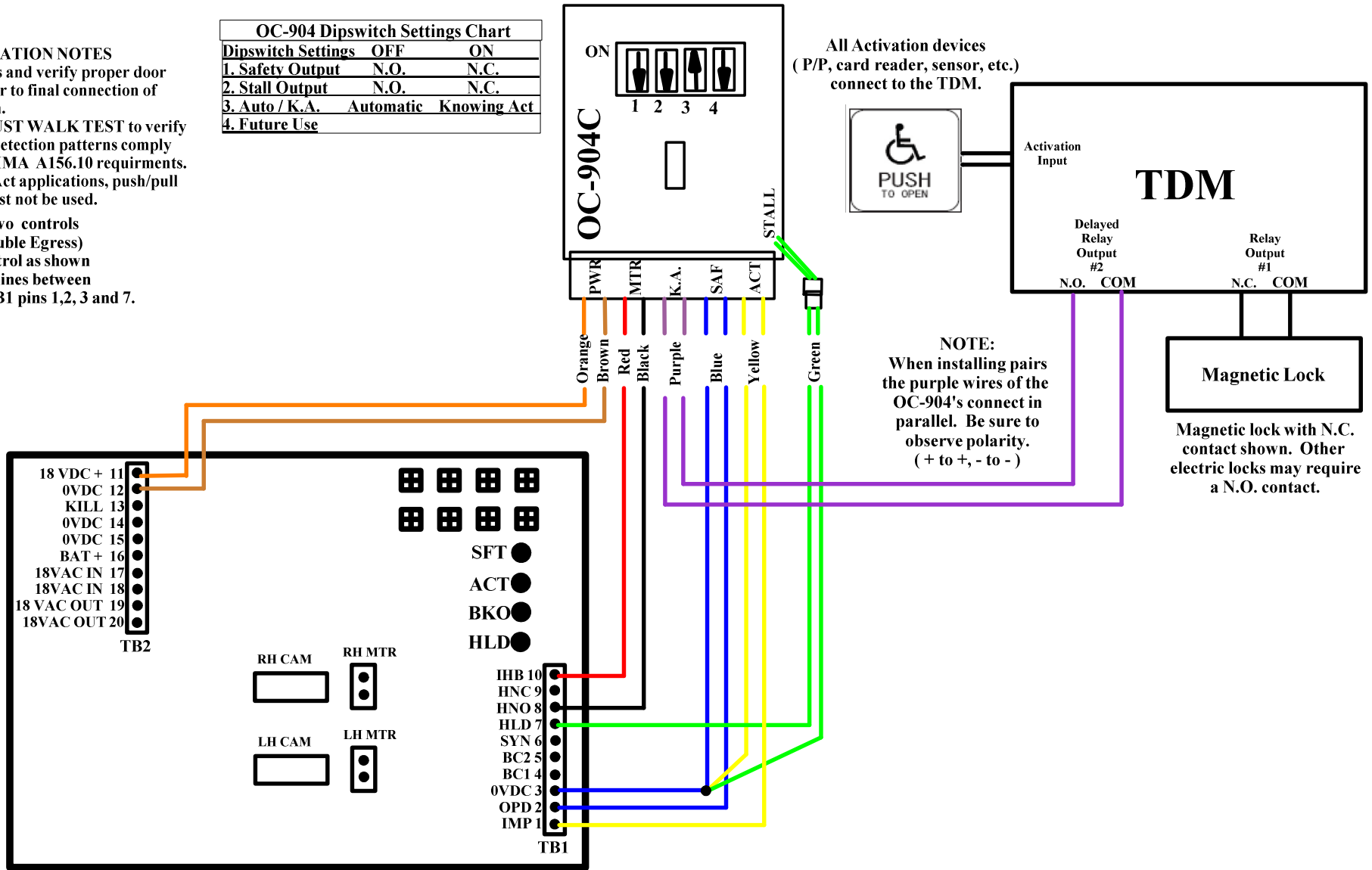


INSTALLATION NOTES

1. Set door speeds and verify proper door operation prior to final connection of sensors system.
2. Technician **MUST WALK TEST** to verify function and detection patterns comply with ANSI/BHMA A156.10 requirements.
3. On Knowing Act applications, push/pull activation must not be used.
4. When using two controls (Sim Pair, Double Egress) wire each control as shown and add sync lines between controls on TB1 pins 1,2, 3 and 7.

OC-904 Dipswitch Settings Chart		
Dipswitch Settings	OFF	ON
1. Safety Output	N.O.	N.C.
2. Stall Output	N.O.	N.C.
3. Auto / K.A.	Automatic	Knowing Act
4. Future Use		



Title: Besam 900 with Elite & Electric Lock.		Drawing # 01BES900ELI03
Drawing By: JAS	Date: 11-10-08	Sheet: 1 of 1
Optex Technologies Inc. 3882 Del Amo Blvd., Suite 604, Torrance, CA 90503 Office: (800)877-6656, Fax: (310)214-8655		