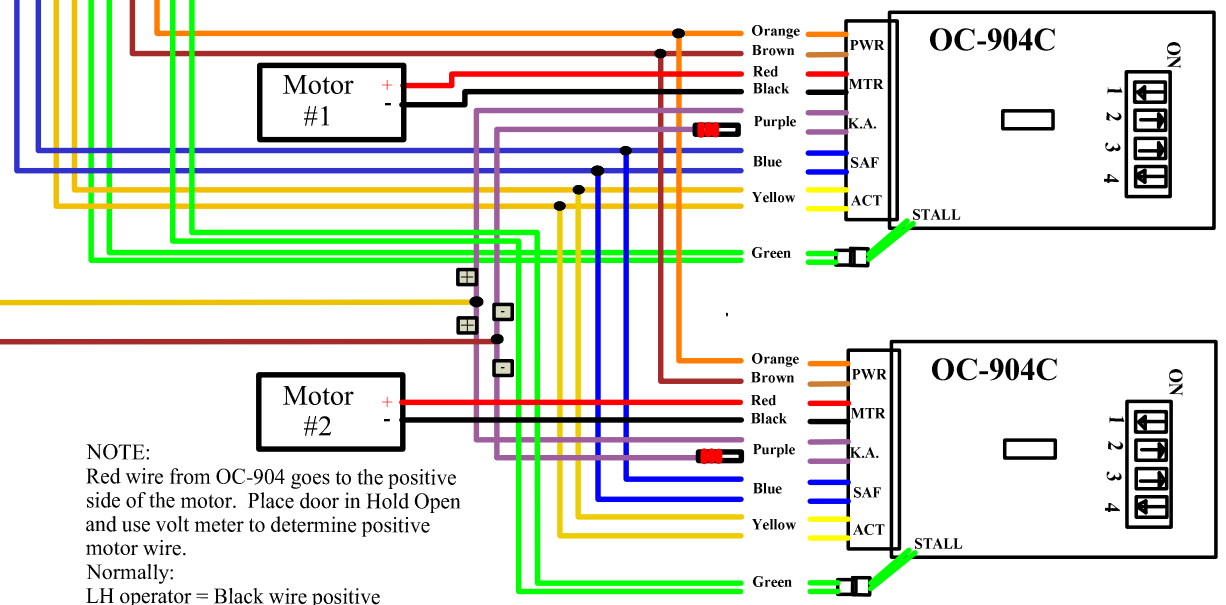


Note:
For Mag locks use
the N/C contact of
the TDM output #1



NOTE:
Red wire from OC-904 goes to the positive side of the motor. Place door in Hold Open and use volt meter to determine positive motor wire.
Normally:
LH operator = Black wire positive
RH operator = White wire Positive

NOTE: All activating devices (pushplates, card readers, motion sensors, etc.) must connect to the TDM. Purple wires from both OC-904 controls connect in parallel. Be sure to observe polarity of the purple wires (+ to +, - to -).

INSTALLATION NOTES

1. Set door speeds and verify proper door operation prior to final connection of sensors system.
2. Technician MUST WALK TEST to verify function and detection patterns comply with ANSI/BHMA A156.10 requirements.

Title: Besam 300/400 Sim. Pair With Elite and Electric lock		Drawing # 01BES300ELI03 Rev 1
Drawing By: RNG	Date: 02-25-08	Sheet: 1 of 1
Optex Technologies Inc. 3882 Del Amo Blvd., Suite 604, Torrance, CA 90503 Office: (800)877-6656, Fax: (310)214-8655		