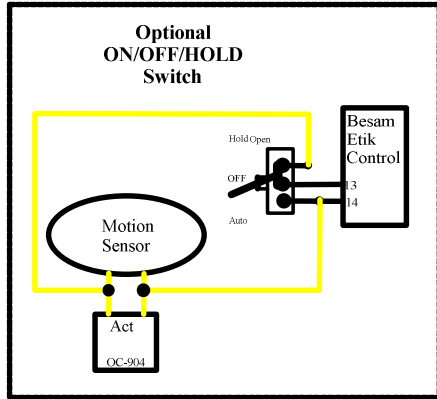
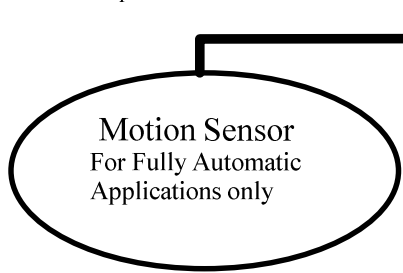
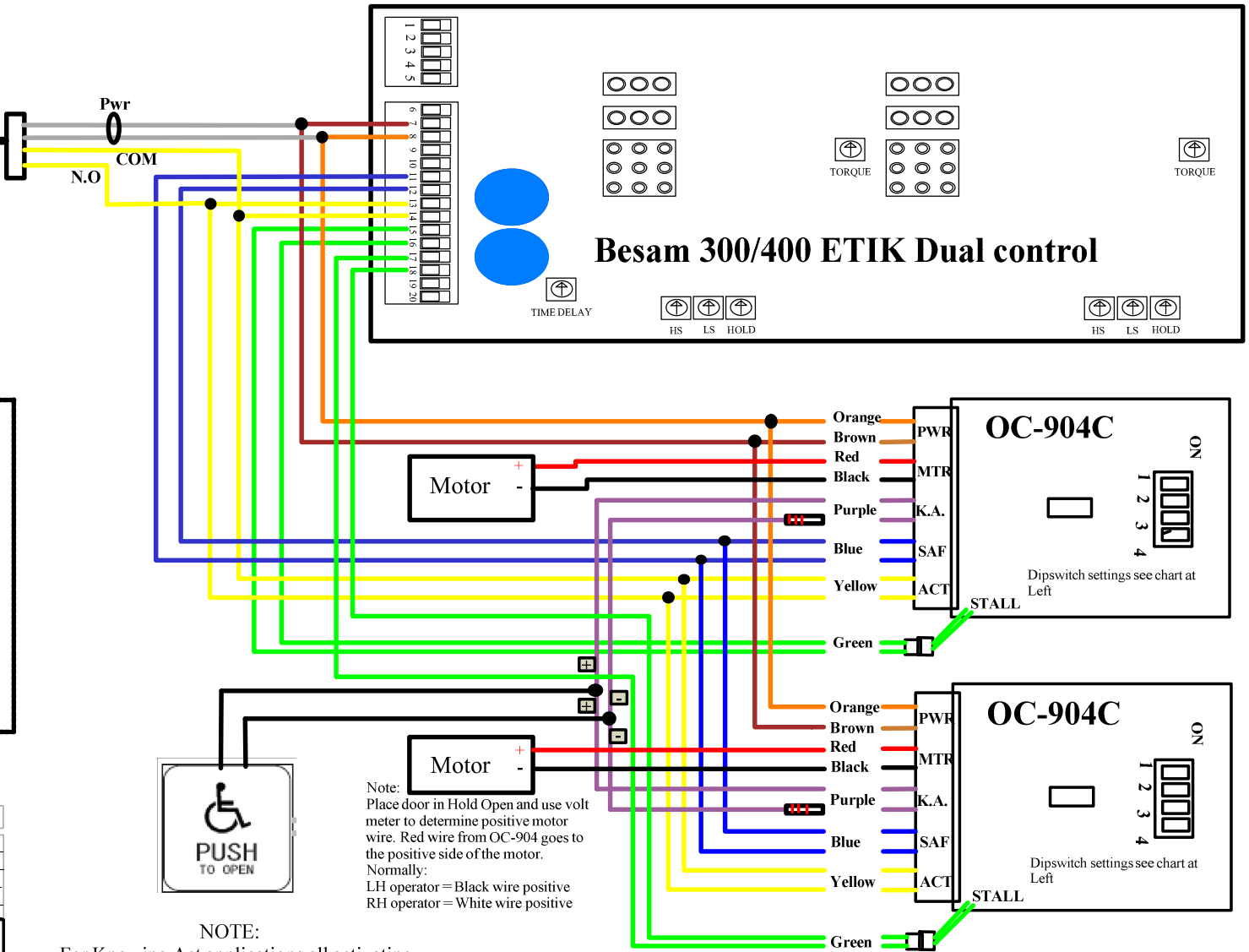


**INSTALLATION NOTES**

1. Set door speeds and verify proper door operation prior to final connections of sensors system.
2. Technician MUST WALK TEST to verify function and detection patterns comply with ANSI/BHMA A156.10 requirements.



| OC-904 Dipswitch Settings Chart |           |                    |
|---------------------------------|-----------|--------------------|
| Dipswitch Settings              | OFF       | ON                 |
| 1. Safety Output                | N. O.     | N. C.              |
| 2. Stall Output                 | N. O.     | N. C.              |
| 3. Auto/K.A.                    | Automatic | Knowing Act        |
| 4. Future Use                   |           |                    |
| <b>Fully Automatic</b>          |           | <b>Knowing Act</b> |
| <b>1. OFF</b>                   |           | <b>1. OFF</b>      |
| <b>2. ON</b>                    |           | <b>2. ON</b>       |
| <b>3. OFF</b>                   |           | <b>3. ON</b>       |
| <b>4. OFF</b>                   |           | <b>4. OFF</b>      |



**NOTE:**  
For Knowing Act applications all activating devices must connect to the purple wires of the OC-904 controls (N.O. dry contact only). The purple wires connect in parallel. Be sure to Observe Polarity of the purple wires(+ to +, - to -).

|  |                                      |
|--|--------------------------------------|
| <b>Title:</b> Besam 300/400 Sim. Pair or Double Egress With Elite  | <b>Drawing #</b> 01BES300ELI02 REV 1 |
| <b>Drawing By:</b> RNG   | <b>Date:</b> 02-25-08                |
| <b>Sheet:</b> 1 of 1   |                                      |
| <b>Optex Technologies Inc.</b><br>3882 Del Amo Blvd., Suite 604, Torrance, CA 90503<br>Office: (800)877-6656, Fax: (310)214-8655 |                                      |