

The values below are those of when tilted 5° away from the door.

[ m ]






<b>A</b>	2.00	2.20	2.50	2.70	3.00
<b>B</b>	0.37	0.40	0.45	0.48	0.53
<b>C</b>	2.60	2.86	3.25	3.51	3.90

[ feet,inch ]

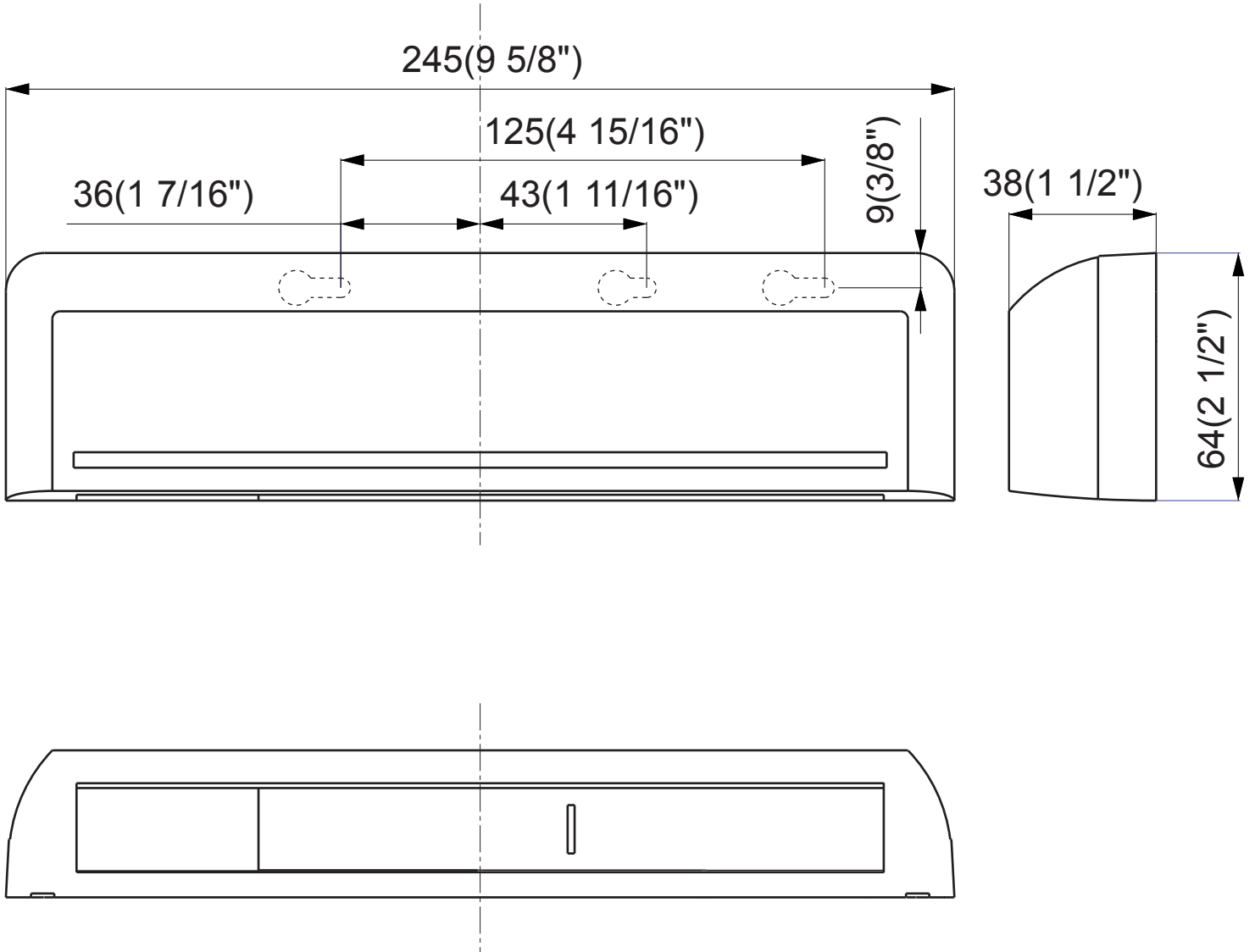
<b>A</b>	6' 6 3/4"	7' 2 5/8"	8' 2 7/16"	8' 10 5/16"	9' 10 1/8"
<b>B</b>	1' 2 9/16"	1' 3 3/4"	1' 5 11/16"	1' 6 7/8"	1' 8 7/8"
<b>C</b>	8' 6 3/8"	9' 4 5/8"	10' 7 15/16"	11' 6 3/16"	12' 9 9/16"

Model	: OA-PRESENCE T
Cover color	: Black / Silver
Mounting height	: 2.0 to 3.0m (6'7" to 9'10")
Detection area	: See <b>ADJUSTMENTS</b>
Detection method	: Active Infrared Reflection
Depth angle adjustment	: -5 to 5°
Power supply (*)	: 12 to 24VAC ( ±10%) 12 to 30VDC ( ±10%)
Power consumption	: < 2W (< 3VA at AC)
Operation LED	: See chart below
Safety / Test output	: Opto coupler (NPN) Voltage / 5 to 50VDC Current / 100mA Max. Dark current / 600nA Max. (Resistance load)
Test input	: Opto coupler Voltage / 5 to 30VDC Current / 6mA Max. (30VDC)
Noise level	: <70dBA
Output hold time	: Approx. 0.5sec.
Response time	: <0.3sec.
Operating temperature	: -20 to +55°C (-4 to 131°F)
Operating humidity	: <80%
IP rate	: IP54
Category	: 2 (EN ISO13849-1 : 2008)
Performance level	: d (EN ISO13849-1 : 2008)
Weight	: 260g (9.2oz)
Accessories	: 1 Operation manual 2 Mounting screws 1 Mounting template 1 Cable 3m(9'10") (6 × 0.14mm <sup>2</sup> AWG26 / Overcurrent protection with less than 2A)

### Operation LED

Status	Operation LED color	
Stand-by	Green	
Detection	Red	
Wrong dipswitch setting	Red & Green blinking	
Signal saturation	Slow Green blinking	
Sensor failure	Fast Green blinking	

\* When using this sensor, the sensor has to be connected to a door system which has the SELV circuit.



UNIT: mm (inch)