

## MANUFACTURER'S STATEMENT

This Installation manual will help identify and resolve some of the most common installation issues. This guide will also verify that all Dipswitch settings and Area Depth adjustments are properly set. If after verifying all 8 steps proper operation has not been achieved, please contact our Technical Support Team at (800) 877-6656.

Read this manual carefully before install. Failure to read this manual may cause improper operation and may result in serious injury or death of a person. The meanings of the symbols are as follows. Please study the following first and then read the contents of this manual.

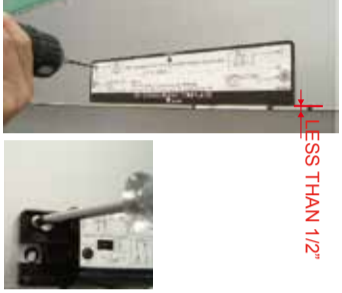
	<b>WARNING</b>	Disregard of warning may cause the improper operation causing death or serious injury of a person.
	<b>CAUTION</b>	Disregard of caution may cause the improper operation causing injury of a person or damage to objects.
	<b>NOTE</b>	Special attention is required to the section of this symbol.

## 1 Mounting the Sensor Head

- Affix the mounting template to the mounting surface.
- Drill mounting holes and a wiring hole according to the mounting template.

**NOTE** Drill the (A) hole on **one side only**.

- Remove the mounting template.
- Affix OA-613 T sensor head to header.



### How to remove the cover (Before installation)

Release 2 clutches in red square to remove the cover.



### How to remove the cover (After installation)

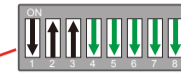
Insert the flat head screw driver and push it down. Hold the top and remove the cover.



## 2 Dipswitch settings of OC-913C T

Set dipswitch as shown below.

OC-913C T



Black arrow : Select according to your site  
Green arrow : See Step 3 or 4  
( See PREMIER T specification manual for each dipswitch definitions. )

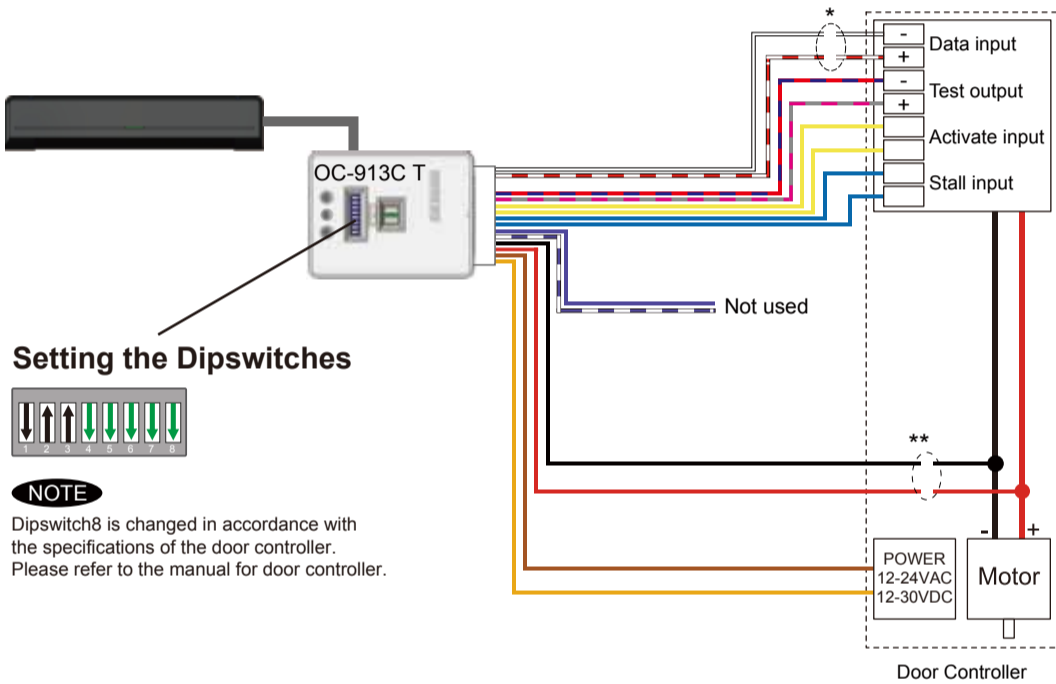
Dipswitch1. Safety relay contact  
ON : N.C.  
OFF : N.O.

Dipswitch2. Door open signal switch  
ON : Saf  
OFF : Act

Dipswitch3. Auto Lockout  
ON : Manual (by volume setting on OC-913C T)  
OFF : Auto (by motor voltage)

## 3 Wiring (Monitored door)

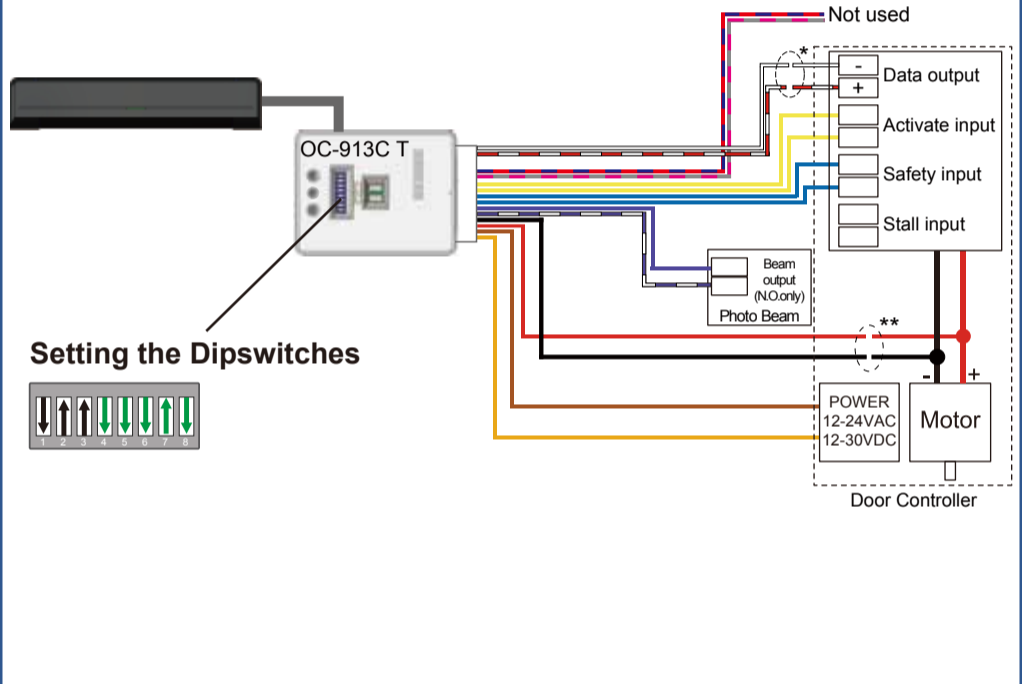
### Without Beam



- \* Wiring to Data output : When using this input set OC-913C T dipswitch 5 ON
- \*\* Wiring to Motor : When using this input set OC-913C T dipswitch 5 OFF

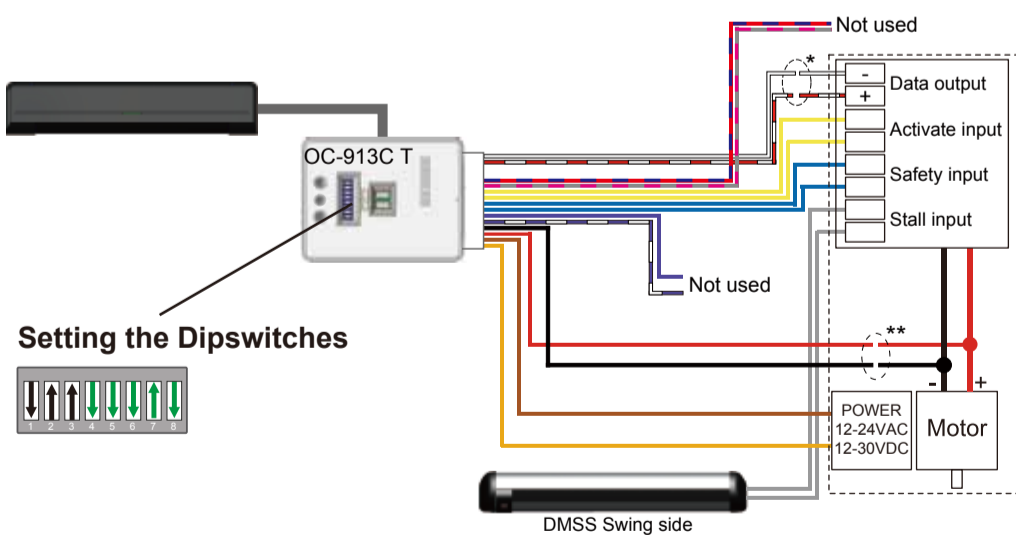
## 4 Wiring (Not monitored door)

### Option 1 : With Beam



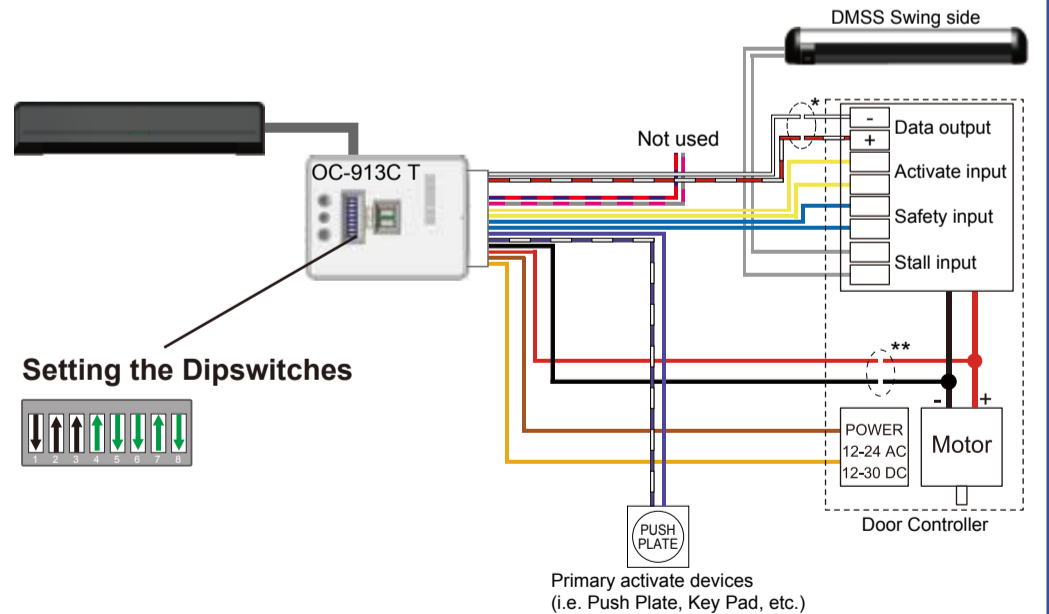
- \* Wiring to Data output : When using this input set OC-913C T dipswitch 5 ON
- \*\* Wiring to Motor : When using this input set OC-913C T dipswitch 5 OFF

### Option 2 : With Door mount swing sensor



- \* Wiring to Data output : When using this input set OC-913C T dipswitch 5 ON
- \*\* Wiring to Motor : When using this input set OC-913C T dipswitch 5 OFF

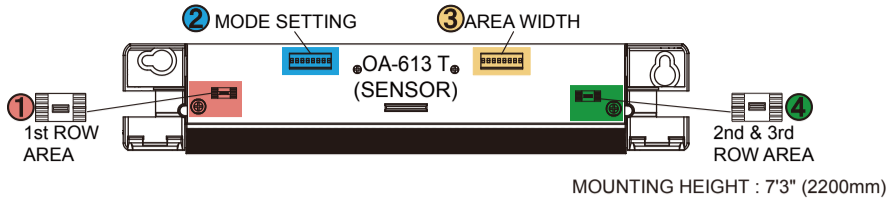
### Option 3 : Knowing Act function operation



- \* Wiring to Data output : When using this input set OC-913C T dipswitch 5 ON
- \*\* Wiring to Motor : When using this input set OC-913C T dipswitch 5 OFF

## 5 Settings of OA-613 T

Verify proper dipswitch settings of OA-613 T sensor heads.



DOOR TYPE	DOOR SIZE	INITIAL SETTING			
		①	②	③	④
SINGLE SWING	36" / 42" / 48"	-5 degrees			+5 degrees
SINGLE FOLD	36" / 42" / 48"	-5 degrees			+5 degrees
DOUBLE SWING	36"	-5 degrees			+5 degrees
	42" / 48"				
BI FOLD	72"	-5 degrees			+5 degrees
	84" / 96"				

Red arrow : Recommended setting  
Black arrow : Select according to your site  
Green arrow : Recommended setting to comply with ANSI

**NOTE** See PREMIER T specification manual for each dipswitch definitions.

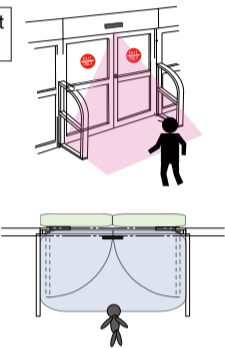
## 7 Normal operation check

Before leaving the site, check two items.  
In applications that are to conform to ANSI/BHMA A156.10, in addition to the basic operational checks below, perform a sensor walk test using methods recommended by AAADM to approximate conformance of the requirements in section 8 and/or 9 of the ANSI standard.

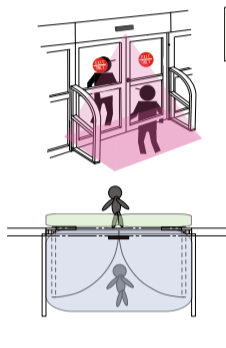
Entering swing side at full closed position.

Door does not open.

OC-913C T Output Safety : OFF



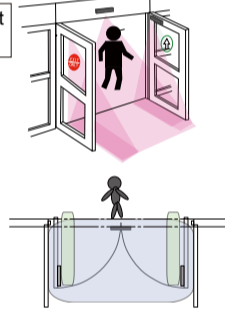
OC-913C T Output Safety : ON



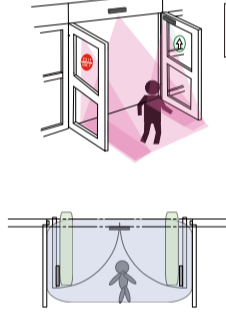
Entering the door at full open position.

Door stays opened.

OC-913C T Output Safety : ON



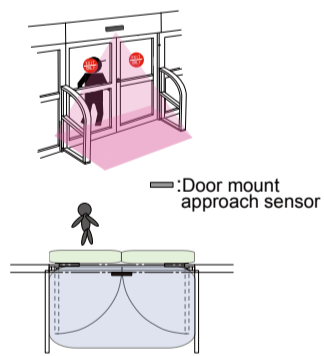
OC-913C T Output Safety : ON



## 8 Function operation check if using Knowing Act Function (OC-913C T dipswitch 4 ON) in conjunction with OA-613 T sensor

Before leaving the site, check six items.

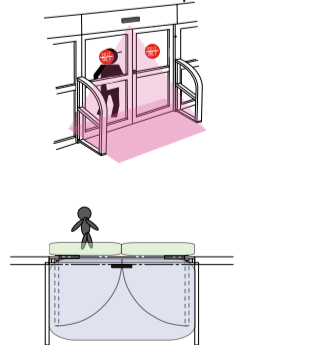
Entering approach side at full closed position.



OC-913C T Output Activate : OFF  
Safety : OFF  
Door mount approach sensor Output Activate : OFF



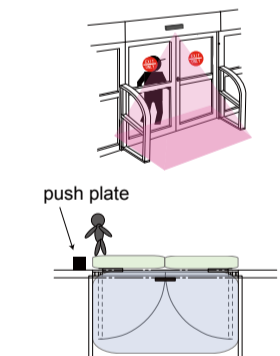
Door does not open.



OC-913C T Output Activate : OFF  
Safety : OFF  
Door mount approach sensor Output Activate : ON

**NOTE** Door opens if push the push plate.

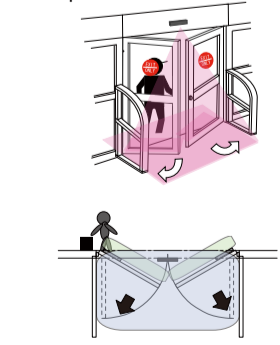
Push the push plate.



OC-913C T Output Activate : OFF  
Safety : OFF  
Door mount approach sensor Output Activate : OFF

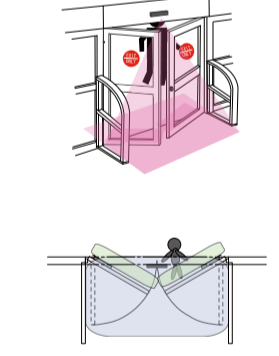


Door opens.



OC-913C T Output Activate : ON  
Safety : OFF  
Door mount approach sensor Output Activate : ON

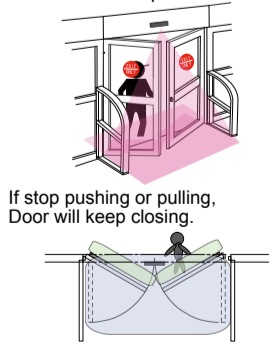
Entering the door manually.



OC-913C T Output Activate : OFF  
Safety : OFF  
Door mount approach sensor Output Activate : ON



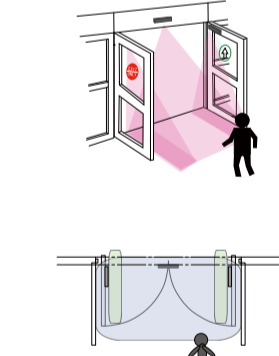
Door does not open automatically.



OC-913C T Output Activate : OFF  
Safety : OFF  
Door mount approach sensor Output Activate : ON

**NOTE** Area of all sensor is disabled.

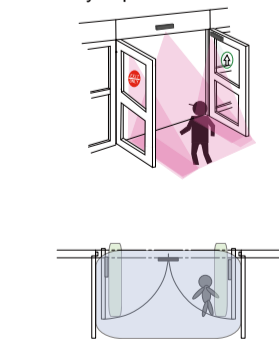
Entering the door at full open position.



OC-913C T Output Activate : OFF  
Safety : OFF  
Door mount approach sensor Output Activate : OFF

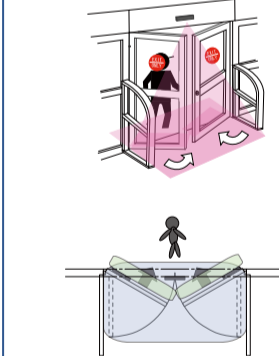


Door stays opened.



OC-913C T Output Activate : OFF  
Safety : ON  
Door mount approach sensor Output Activate : OFF/ON

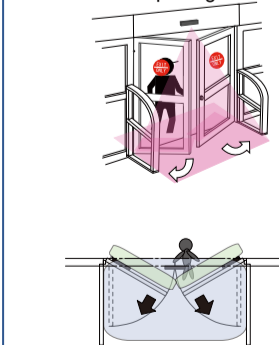
Entering approach side during closing cycle.



OC-913C T Output Activate : OFF  
Safety : OFF  
Door mount approach sensor Output Activate : OFF



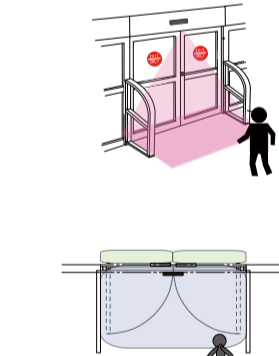
Door starts re-opening.



OC-913C T Output Activate : OFF  
Safety : OFF  
Door mount approach sensor Output Activate : ON

**NOTE** Door will re-activate until within last 10 degrees of closing. Timing is determined by Knowing Act timer adjustment.

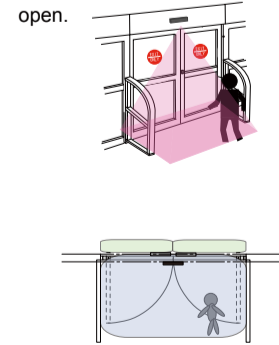
Entering swing side at full closed position.



OC-913C T Output Activate : OFF  
Safety : OFF  
Door mount approach sensor Output Activate : OFF



Door does not open.



OC-913C T Output Activate : OFF  
Safety : ON  
Door mount approach sensor Output Activate : OFF

## 6 PREMIER Learn process

### PREMIER Learning

To enable a PREMIER Learn process, move any dipswitch on the OA-613 T sensor head, wait 1 second and move it back.  
Move out of the detection area and then confirm the process below.

Door status	Sensor status	OA-613 T Operation indicator	OC-913C T Operation indicator
	Initial setup	Approx. 10sec. 	Approx. 10sec. 
	Waiting for next learning	Until activate door	Until activate door
	During door opening	Approx. 15sec.	
	Learning full opened cycle		
	During door closing		Until approx. 3sec. after full closed
	Setup complete		



**CAUTION** When using manual Lockout timer, ensure Lockout time is not adjusted too long. During normal operation OC-913C T LED should change from Solid Orange to Solid Green within 1 second after full close.

## 8

## Function operation check if using Knowing Act Function (OC-913C T dipswitch 4 ON) in conjunction with OA-613 T sensor

Before leaving the site, check six items.