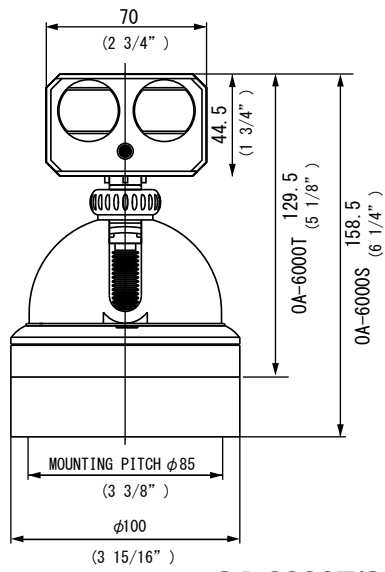


The actual Detection Area may become smaller depending on the ambience light and the colour / material of object and the floor as well as the entry speed of object.

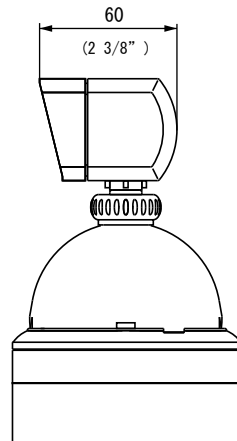
Model	:0A-6000S
Detection Range	:2~6m
Detection Method	:Active Infrared Reflection Method
Detection Range (vertical)	:-80° ~+80° (Deep/Shallow)
Detection Range (right & left)	:360°
Power Supply	:24V \overline{DC}
Power Consumption	:<65mA (24VDC)
Operation Indicator	:LED ON:Stand-by LED OFF:Detection LED Blink:Presence Detection
Output	:NPN Max. 40mA/DC24V
Relay Hold Time	:Approx. 0.5sec.
Operating Temperature	:-20°C to +55°C
Weight	:200g
Accessories	:Mounting Screw X 1set Operation Manual X 1 Mounting Template X 1

Model	:0A-6000T
Detection Range	:2~6m
Detection Method	:Active Infrared Reflection Method
Detection Range (vertical)	:-80° ~+80° (Deep/Shallow)
Detection Range (right & left)	:360°
Power Supply	:24V DC
Power Consumption	:<105mA (24VDC)
Operation Indicator	:LED ON:Stand-by LED OFF:Detection LED Blink:Presence Detection
Output	:“Form A” relay AC100V 1A, DC30V 0.1A Max
Relay Hold Time	:Approx. 0.5sec.
Operating Temperature	:-20°C to +55°C
Weight	:290g
Accessories	:Mounting Screw X 1set Operation Manual X 1 Mounting Template X 1

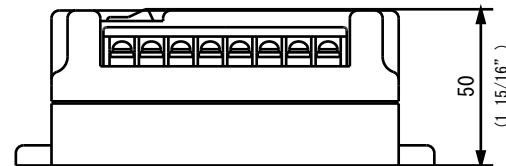
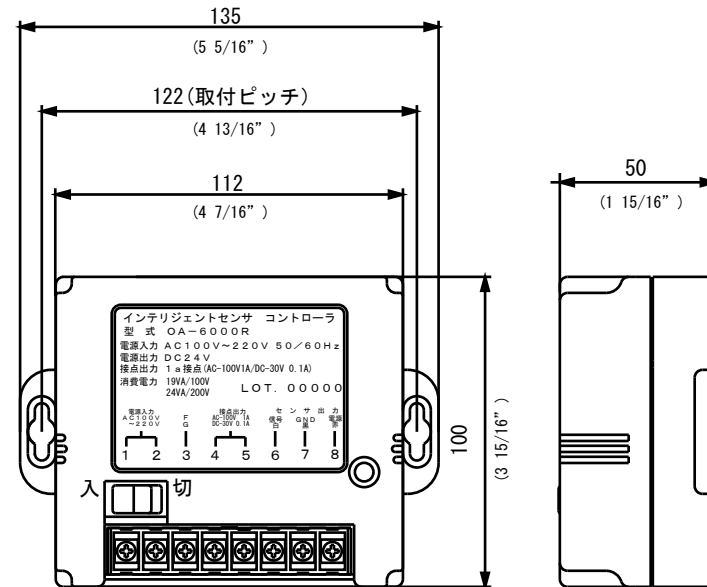
Model	:0A-6000R
Power Supply	:100V to 220V AC
Power Consumption	:<25VA (100V AC) <32VA (200V AC)
Operation Indicator	:LED ON:Power ON LED OFF:Power OFF
Output	:“Form A” relay AC100V 1A, DC30V 0.1A Max
Relay Hold Time	:Approx. 0.5sec.
Operating Temperature	:-20°C to +55°C
Weight	:290g
Accessories	:Mounting Screw X 1set Operation Manual X 1 Mounting Template X 1



OA-6000T/S



OA-6000R



mm (inch)