

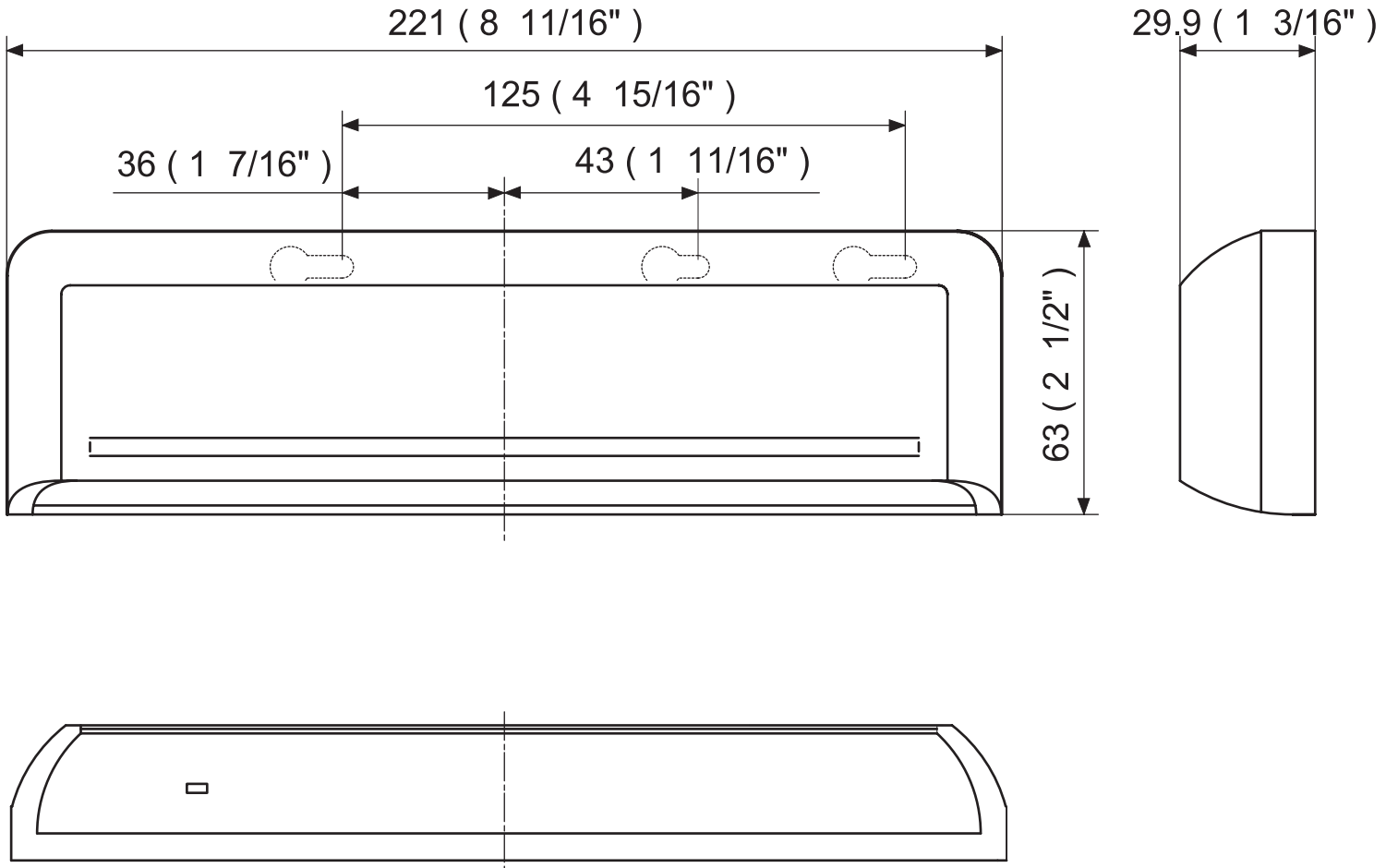
[ m ]

A	2.00	2.20	2.50	2.70	3.00
B	0.28	0.31	0.35	0.38	0.41
C	0.68	0.75	0.85	0.92	1.02
D	1.18	1.30	1.48	1.59	1.77
E	2.10	2.30	2.60	2.80	3.10
F	0.16	0.18	0.20	0.22	0.25

[ feet , inch ]

A	6' 6 3/4"	7' 2 5/8"	8' 2 7/16"	8' 10 5/16"	9' 10 1/8"
B	11"	1' 3/16"	1' 1 3/4"	1' 2 15/16"	1' 4 9/16"
C	2' 2 3/4"	2' 5 1/2"	2' 9 9/16"	3' 1/4"	3' 4 3/16"
D	3' 10 7/16"	4' 3 3/16"	4' 10 1/4"	5' 2 5/8"	5' 9 11/16"
E	6' 10 11/16"	7' 6 9/16"	8' 6 3/8"	9' 2 1/4"	10' 2 1/16"
F	6 5/16"	7 1/16"	7 7/8"	8 11/16"	9 13/16"

Model	: OA-203C
Cover color type	: Silver / Black / White
Mounting Height	: 3.0m (9'10") Max.
Detection Area	: See "Detection Area"
Detection Method	: Active Infrared Reflection Method
Detection Angle Adjustments	: $\pm 4^\circ$ adjustable by $1^\circ$ every one click (Deep / Shallow)
Detection Width Adjustments	: $\pm 7^\circ$ adjustable by $3.5^\circ$ every one click (Right / Left)
Power Supply	: 12 to 30V AC / DC
Current Draw	: 160mA Max. (at 12V AC)
Operation Indicator	: Green / Stand-by Red / 1st Row Detection Active Orange / Other Row Detection Active
Output	: "Form C" relay 50V 0.3A Max. (Resistance Load)
Relay Hold Time	: 0.5 sec.
Response Time	: < 0.3 sec.
Operating Temperature	: $-20^\circ\text{C}$ to $+55^\circ\text{C}$ ( $-4^\circ\text{F}$ to $+131^\circ\text{F}$ )
Weight	: 200g (7.1oz)
Accessories	: 1 Cable 3m (9'10") 2 Mounting Screws 1 Operation Manual 1 Mounting Template 1 Area Adjustment Tool



UNIT : mm ( inch )