

[ m ]

A	2.00	2.20	2.50	2.70	3.00
B	0.42	0.47	0.53	0.57	0.64
C	0.85	0.94	1.07	1.15	1.28
D	1.50	1.65	1.88	2.03	2.25
E	2.07	2.28	2.59	2.80	3.11
F	0.21	0.23	0.26	0.28	0.31

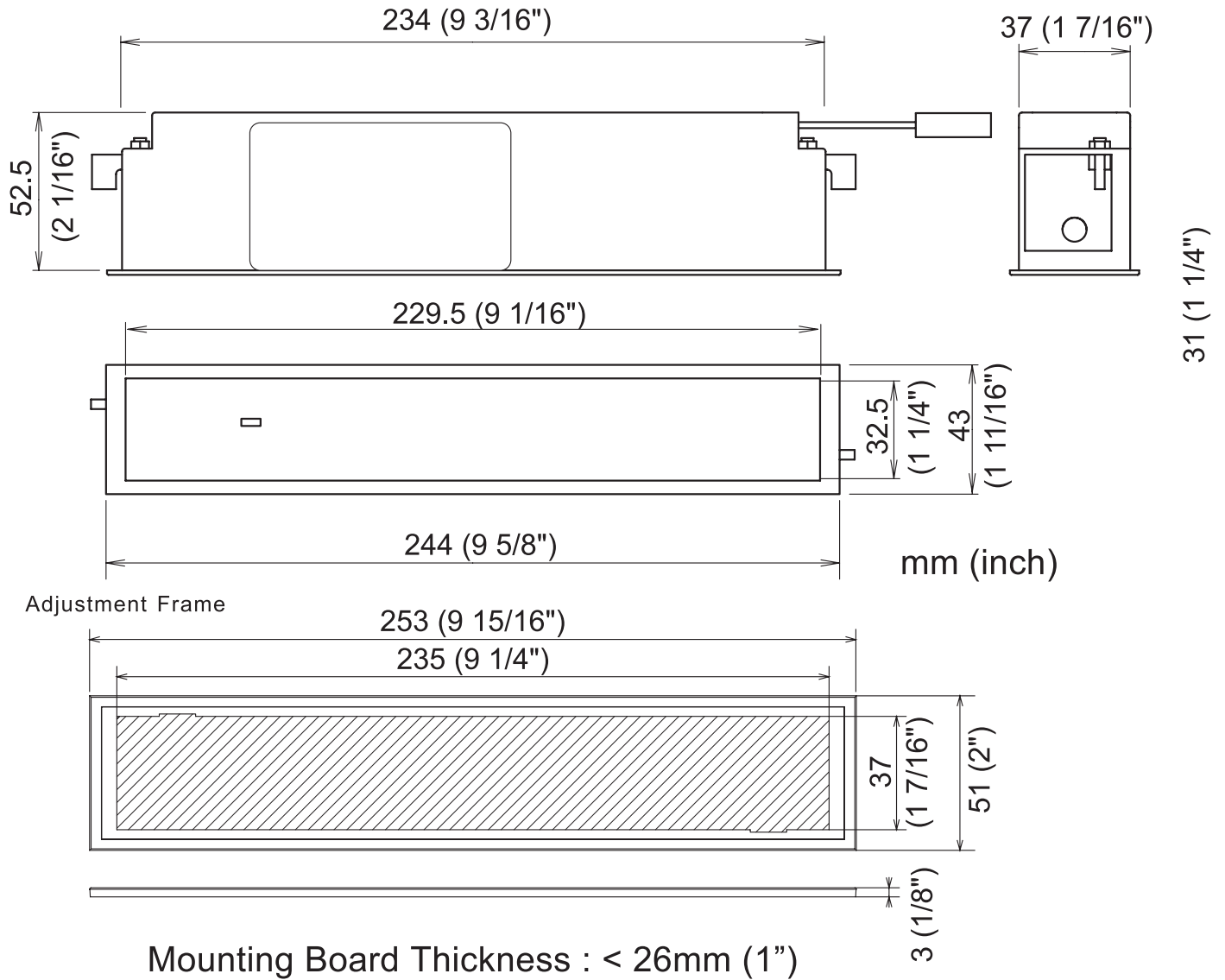
[ feet , inch ]

A	6' 6 3/4"	7' 2 5/8"	8' 2 7/16"	8' 10 5/16"	9' 10 1/8"
B	1' 4 11/16"	1' 6 3/8"	1' 8 7/8"	1' 10 1/2"	2' 1"
C	2' 9 5/8"	3' 15/16"	3' 6"	3' 9 3/8"	4' 2 3/8"
D	4' 11 1/8"	5' 5 1/16"	6' 1 7/8"	6' 7 13/16"	7' 4 11/16"
E	6' 9 5/8"	7' 5 3/4"	8' 6"	9' 2 3/16"	10' 2 3/8"
F	8 1/8"	8 15/16"	10 3/16"	11"	1' 3/16"

Model	: MIRAGE
Cover color type	: Black
Mounting Height	: 3.0m (9'10") Max.
Detection Area	: See "Detection Area"
Detection Method	: Active Infrared Reflection Method
Detection Angle	: $\pm 4^\circ$ adjustable by $1^\circ$ every one click
Adjustments	(Deep / Shallow)
Detection Width	: 4 type selectable with Adjustment Shutters
Adjustments	(Not angle adjustment)
Power Supply	: 12 to 30V AC / DC
Current Draw	: 200mA Max. (At 12V AC)
Operation Indicator	: Green / Stand-by Red / 1st Row Detection Active
Output	: "Form C" relay 50V 0.3A Max. (Resistance Load)
Relay Hold Time	: 0.5 sec.
Response Time	: < 0.3 sec.
Operating Temperature	: -20°C to +55°C ( -4°F to +131°F )
Weight	: 260g (9.2oz)
Accessories	: 1 Cable 3m (9'10") 1 Operation Manual 1 Area Adjustment Tool 1 Adjustment Frame Tool

OUTER DIMENSIONS Active Infrared Sensor

MIRAGE



UNIT : mm (inch)