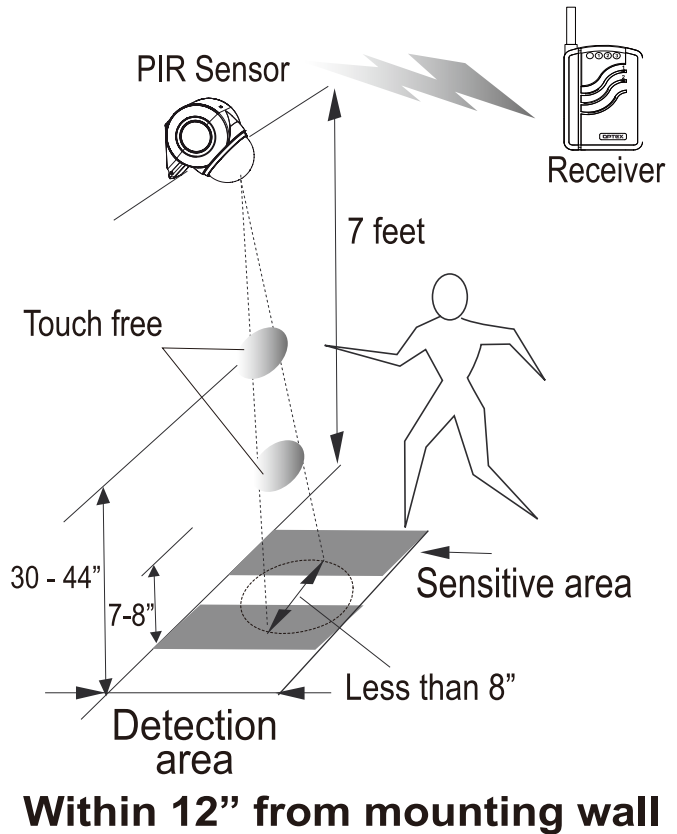
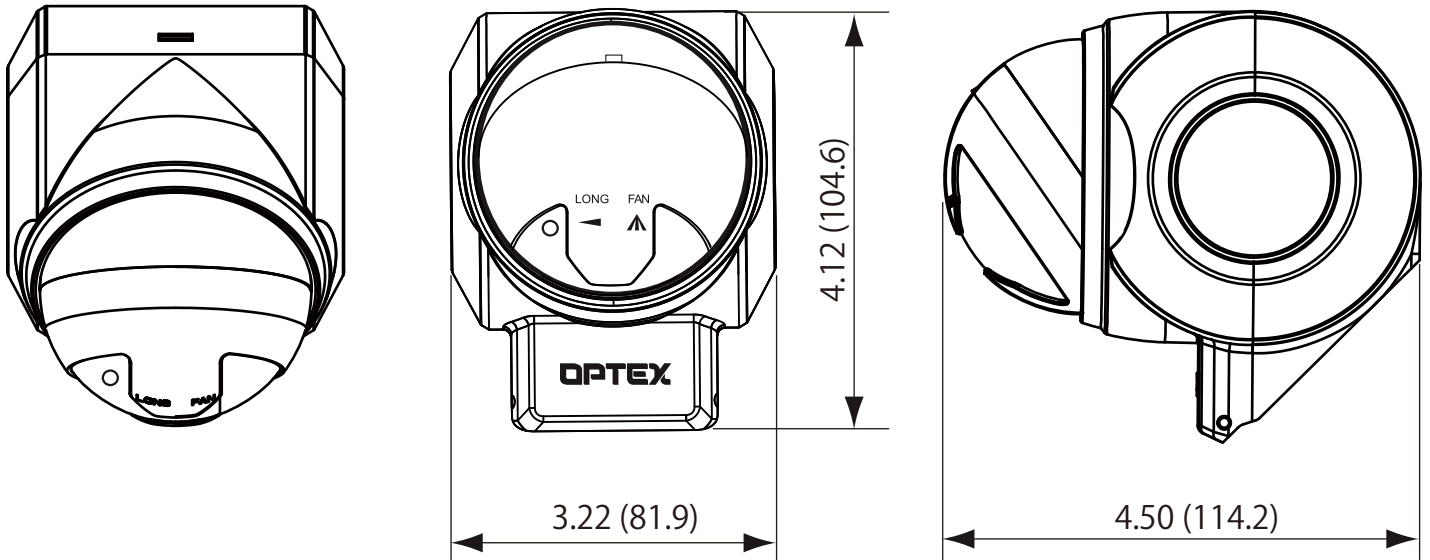


Area Pattern

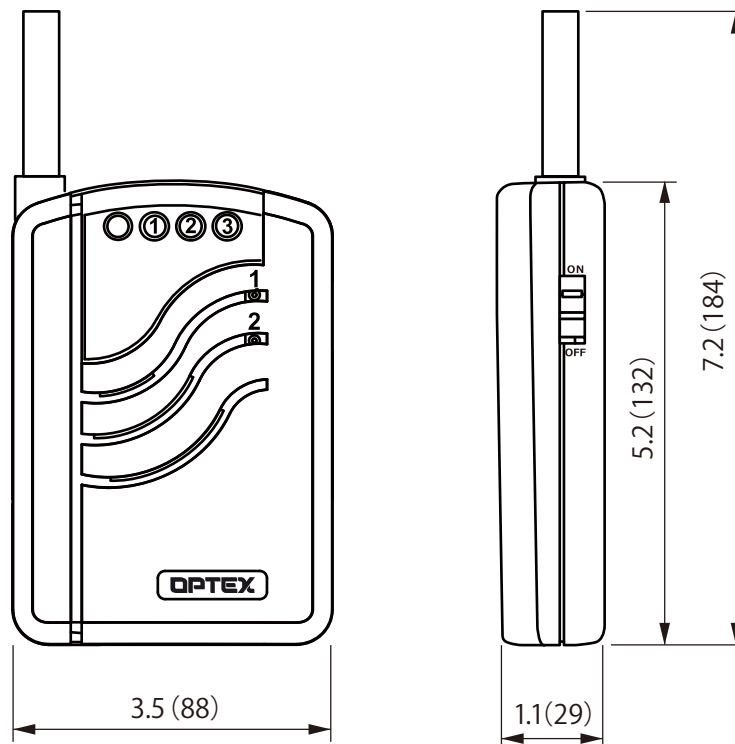
Height	Area Width X Depth
6' (1.8m)	10" X 7" (0.26m) (0.18m)
7' (2.1m)	12" X 8" (0.30m) (0.20m)
8' (2.4m)	14" X 9" (0.35m) (0.23m)



Air-Wave TX



Air-Wave RX



Unit : inches (mm)

Air-Wave RX

Product Series	Prowave Air-Wave RX
Product Name	Single Relay Receiver
Model Number	RG-10U
Power Source	12~24V AC/DC Standby : 65mA Operating : 210mA
Relay Output	From "C" MAX 1A/50VAC DC24VAC
Output Timer	Selectable : 1/5/30/60sec.
Status Indicator	Power Indicator : Green Zone Indicator : Red×3
Frequency	418MHz
Operating Temperature	-10°C ~ +40°C
Installation Location	Indoors
Weight	120g
Accessories	Mounting Screw×1

Air-Wave TX

Product Series	Prowave Air-Wave TX
Product Name	Indoor/Outdoor Sensor Transmitter
Model Number	TD-21U
Detection Method	Passive Infrared
Detection Range	6 - 8 feet (1.8 - 2.4m)
Status Indicator	Red LED
Power Source	9V Alkaline Battery (Not Included)
Battery Life	Approx. 2 years[250 times per day 70°F(20°C)]
Frequency	418MHz
Operating Temperature	15°F ~ 120°F (-10°C ~ +50°C)
Installation Location	Outdoor / Indoor
Weight	6.3 oz (180g)
Accessories	Mounting Screw ×2 ,Plastic Anchor×2, Angle Plate ×1,Touchless Sticker for hand