

OPTEX OS-12C T Quick Setup Guide

For detailed information, please refer to the installation manual supplied with each sensor.

Settings

The OS-12C T has four settings:

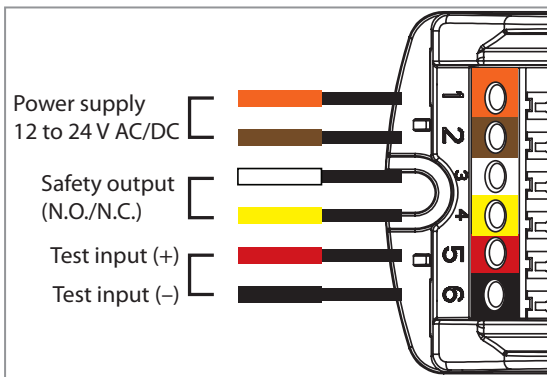
- A. Test input = Low, Safety output = N.O. (Normally Open)
- B. Test input = High, Safety output = N.O. (Normally Open). Most commonly used on non-monitored automatic doors.
- C. Test input = Low, Safety output = N.C. (Normally Closed)
- D. Test input = High, Safety output = N.C. (Normally Closed)

Wiring

Connecting power supply wires and output signal wires

Press the Wire Connection button of the power supply signal side and insert the wires. Be sure that all the wires are securely connected.

Insert the wires to Terminal Block as shown below:



- Pin 1: Orange power
- Pin 2: Brown power
- Pin 3: White Safety common
- Pin 4: Yellow Safety Signal
- Pin 5: Red Test input (+)
- Pin 6: Black Test input (-)

Programming the OS-12C T

1. Press and hold down the blue “Teach-in button” until the red LED starts blinking on the OS-12C T. This will initialize the programming function of the OS-12C T.

Teach-in button



2. Use the blue “Teach-in button” to scroll to the correct (A thru D) setting. The OS-12C T will be in program mode for approximately 10 seconds. Most non-monitored automatic doors will use setting B indicated by two Red LED flashes on the OS-12C T.

Amplifier Mode			
A	Green <input type="checkbox"/>	<input type="checkbox"/>	Teach-in button One push One push One push
	Red <input checked="" type="checkbox"/>	<input checked="" type="checkbox"/>	
B	Green <input type="checkbox"/>	<input type="checkbox"/>	
	Red <input checked="" type="checkbox"/>	<input checked="" type="checkbox"/>	
C	Green <input type="checkbox"/>	<input type="checkbox"/>	
	Red <input checked="" type="checkbox"/>	<input checked="" type="checkbox"/>	
D	Green <input type="checkbox"/>	<input type="checkbox"/>	
	Red <input checked="" type="checkbox"/>	<input checked="" type="checkbox"/>	

3. Press and hold down the blue “Teach-in button” until the green and red LEDs on the OS-12C T stop blinking. When the green and red LEDs stop blinking, that indicates the OS-12C T is in normal operation.



18730 Wilmington Ave, Unit 100
Rancho Dominguez, CA 90220
Ph 310 214-8644
Fax 310 898-1098
Toll free 800 877-6656
www.ot-inc.com

OPTEX Technologies Inc.
(East Coast Office)
8510 McAlpine Park Dr.
Suite 108
Charlotte, NC 28211

OPTEX Technical Support (800) 877-6656
East Coast: Perry Watkins, Ext. 220
Central U.S.: Jason Kirn, Ext. 201
Support: Refugio Guadalajara, Ext. 202