

MANUFACTURER'S STATEMENT

Read this operation manual carefully before use to ensure proper operation of this product.

Failure to read this operation manual may cause improper operation and may result in serious injury or death of a person. The meanings of the symbols are as follows.

WARNING	Disregard of the warning symbol can cause improper operation which may cause death or serious injury.
CAUTION	Disregard of the caution symbol can cause improper operation which may cause injury of a person or damage the object.
NOTE	Special attention is required to the section of this symbol.

1. Set door speeds and verify proper operation of door manufacturer's equipment prior to applying power to the sensor system.
2. Do not install the sensor where it might be directly sprayed with rainwater.
3. Verify proper wiring prior to applying power to the sensor system to prevent damage to equipment.
4. When setting the sensor's area pattern, make sure there is no traffic around the installation site.
5. Do not attempt to rebuild or repair sensor heads or control unit. Contact an address in this manual for replacement products.
6. Only use the sensor as specified in the supplied instructions.
7. Walk test the installation to verify operation is in compliance with all local laws, codes and standards of your country.
8. Upon completion of installation and adjustments, instruct the owner/operator on proper operation of the door and sensor system.
Identify any switches/breakers that will place the door out of service when unsafe or improper operation is identified.

SPECIFICATIONS

Power supply	: 12-24VAC, 12-30VDC
Current draw	: 500mA max.*
Output	: Activate output / Form A relay 50V, 0.3A (Resistance load) Safety output / Form B relay 50V, 0.3A (Resistance load) Stall output / Form B relay 50V, 0.3A (Resistance load)
Relay hold time (Safety & Stall output only)	: 0.5 to 10sec.
Response time	: < 0.3sec.
Operation indicator	: Green / Stand-by Red / Door opening Orange / Lockout
Operating temperature	: -20°C to +55°C (-4°F to +131°F): 62g (2.2oz.)
Weight	: 1 Two sided tape
Accessories	: 2 T-tap connector

*When a unit of the 2 OA-603 T and 1 OC-904C T used.

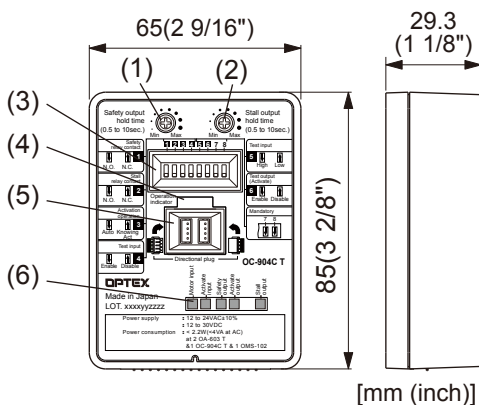
Interface LED : OC-904C T

	LED indication	Operation
Stall output	Solid Green	When outputting (N.C. setting)
	OFF	N.O. setting
Safety output	Solid Green	When outputting (N.C. setting)
	OFF	N.O. setting
Activate output	Solid Orange	When outputting
Activate input	Solid Orange	When being input
Motor input	Sold Green	Positive
	Sold Red	Negative

NOTE The specifications herein are subject to change without prior notice due to improvements.

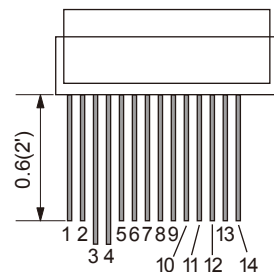
OUTER DIMENSIONS AND PART NAMES

Controller: OC-904C T



- 1 : Safety output hold timer
- 2 : Stall output hold timer
- 3 : Dipswitches
- 4 : Operation indicator
- 5 : Connector
- 6 : Interface LED
(Activate input, Safety output, Activate output, Stall output, Motor input)

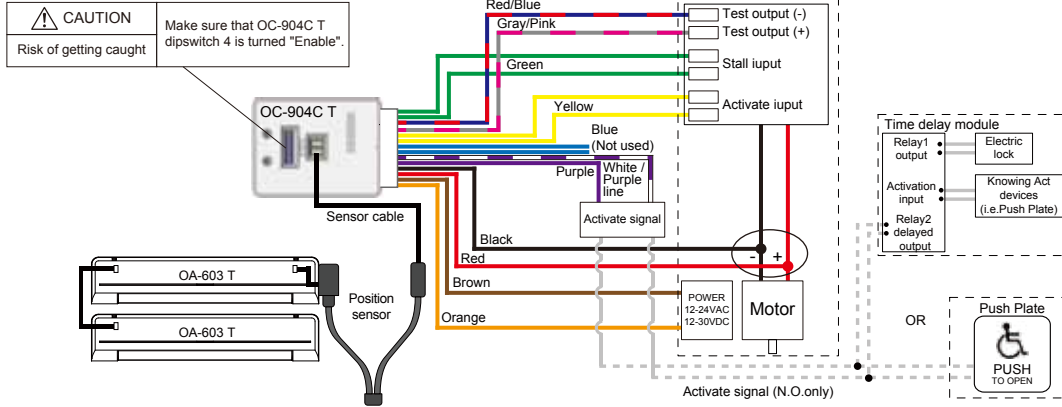
Wiring cable



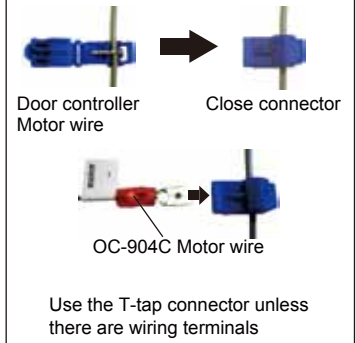
- 1: Power Orange
- 2: Power Brown
- 3: Motor voltage input positive (+) Red
- 4: Motor voltage input negative (-) Black
- 5: Knowing Act input (+) White/Purple line
- 6: Knowing Act input (-) Purple
- 7: Safety output Blue
- 8: Safety output Blue
- 9: Activate output Yellow
- 10: Activate output Yellow
- 11: Test input (+) Gray/Pink
- 12: Test input (-) Red/Blue
- 13: Stall output Green
- 14: Stall output Green

INSTALLATION

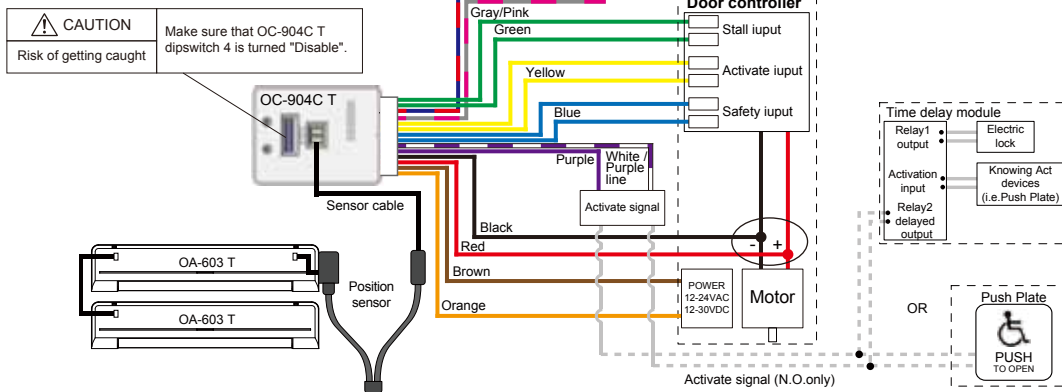
Wiring (Monitored door)



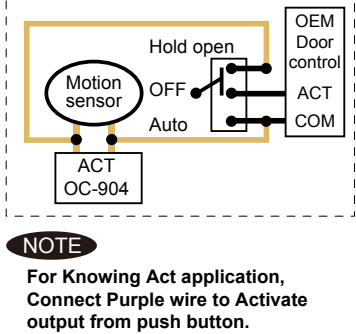
How to use T-tap connector



Wiring (Not monitored door)

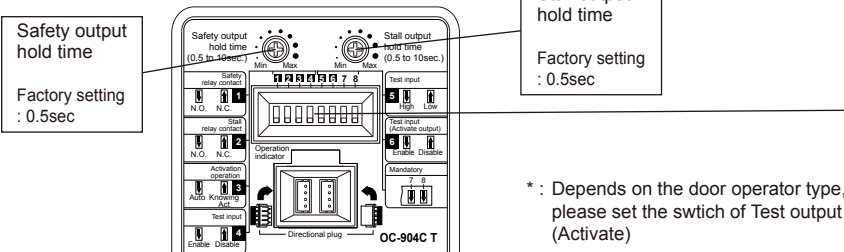


Standard optional ON / OFF / Hold switch



ADJUSTMENTS

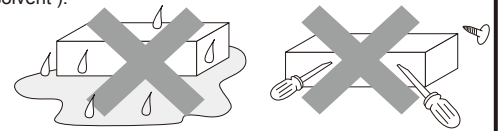
Dipswitch Settings



Dipswitch setting	OFF ↓	ON ↑
1 Safety relay contact	N.O.	N.C.
2 Stall relay contact	N.O.	N.C.
3 Activation operation	Auto.	Knowing Act
4 Test input	Enable	Disable
5 Test input	High	Low
6 Test output (Activate) *	Enable	Disable
7 Mandatory	All "OFF"	

INFORM BUILDING OWNER/OPERATOR OF THE FOLLOWING ITEMS

- When turning the power ON, stay clear of detection area for a minimum of 10 seconds then walk test detection area to ensure proper operation.
- Always keep the detection window clean. If dirty, wipe the window with a damp cloth (Do not use any cleaner or solvent).
- Do not wash the sensor with water.
- Do not disassemble, rebuild or repair the sensor yourself, otherwise electric shock may occur.
- Contact your installer or the sales engineer if you want to change the settings.
- Do not place an object that moves or emits light in the detection area.(ex. Plant, illumination etc..)
- Do not paint the detection window.



Warning Indication (OC-904C T Controller)

Mode	Life cycle notification	Communication error
Operation indicator	Twice Green Blinking 	Twice Orange Blinking
Explanation	The relay is reaching the end of its life cycle.	The sensor cable is connected, but unstable communication. A sensor cable may be disconnected or OA-603 T mode switches 7 & 8 may be set wrong. Refer to "ADJUSTMENTS"

Contact your installer or the sales engineer if:
- you need to change the settings or replace the sensor.
- the trouble still persists after checking and remedying as described above.

Manufacturer

OPTEX Co.,LTD.

5-8-12 Ogoto Otsu 520-0101, Japan
TEL.: +81(0)77-579-8700
FAX.: +81(0)77-579-7030
WEBSITE:
www.optex.co.jp/as/eng/index.html

North and South America Subsidiary

OPTEX INCORPORATED

18730 S. Wilmington Avenue, Suite 100
Rancho Dominguez CA 90220 U.S.A
TEL.: +1-800-877-6656
FAX.: +1(310)898-1098
WEBSITE: www.optex technologies.com

East coast office

8510 McAlpines Park Drive, Suite 108
Charlotte, NC 28211 U.S.A.
TEL.: +1-800-877-6656
FAX.: +1(704)365-0818
WEBSITE: www.optex technologies.com