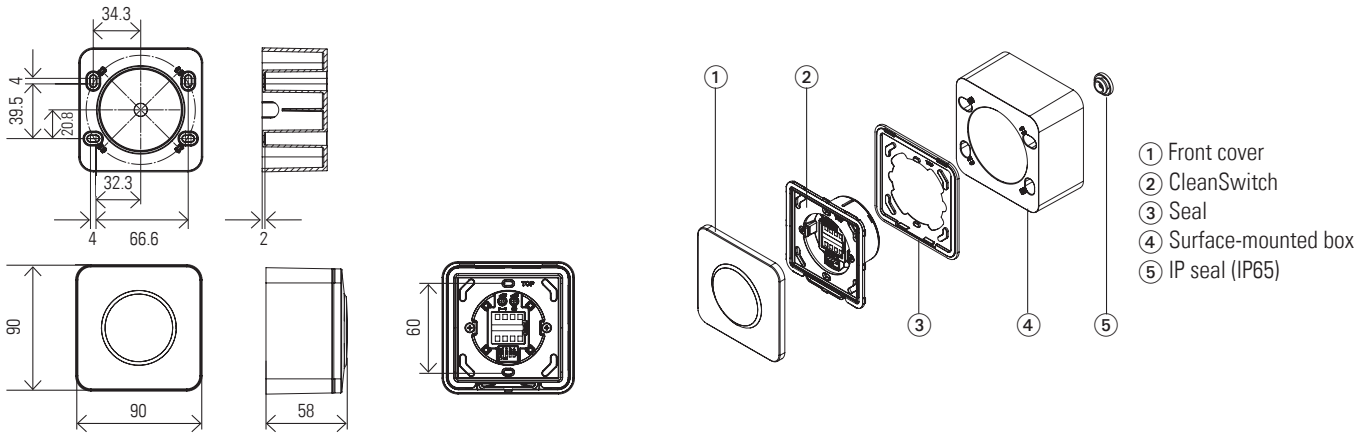


CleanSwitch surface-mounted box

Mounting instructions

General



1 Mounting

<p>1 Desired IP protection and cable routing</p> <p>IP65 or IP54</p> <p>Pop out the cover</p> <p>Pop out the window with pliers depending on the desired cable routing point</p>	<p>2</p> <p>Secure surface-mounted box diagonally with 2 screws</p>	<p>3</p> <p>IP65 or IP54</p> <p>TOP</p>
<p>4</p> <p>Insert the seal as shown on the surface-mounted box</p>	<p>5</p> <p>Attach the cover at the top</p> <p>Press until it clicks!</p>	<p>Dismantling</p>

2 Contact

North and South America Subsidiary

OPTEX INCORPORATED

18730 S. Wilmington Avenue, Suite 100
 Rancho Dominguez CA 90220 U.S.A.
 TEL: +1-800-877-6656
 FAX: +1(310)898-1098
 WEBSITE: www.optextechnologies.com
 Made in Switzerland

East coast office

8510 McAlpines Park Drive, Suite 108
 Charlotte, NC 28211 U.S.A.
 TEL: +1-800-877-6656
 FAX: +1(704)365-0818
 WEBSITE: www.optextechnologies.com